

# INSTALLATION INSTRUCTIONS

For Thermador Professional® Duel Fuel Ranges

Models  
PD304  
PD36  
PD48

***Thermador***®

# Please Read Entire Instructions Before Proceeding

**IMPORTANT:** Save these instructions for the Local Gas Inspector's use.

**INSTALLER:** Please leave these Installation Instructions with this unit for the owner.

**OWNER:** Please retain these instructions for future reference.



## WARNING

Disconnect power before installing. Before turning power ON, be sure that all controls are in the **OFF** position.

## IMPORTANT

Local codes vary. Installation, gas connections and grounding must comply with all applicable codes.

## For Massachusetts Installations:

1. Installation must be performed by a qualified or licensed contractor, plumber or gas fitter qualified or licensed by the state, province or region where this appliance is being installed.
2. Shut-off valve must be a "T" handle gas cock.
3. Flexible gas connector must not be longer than 36 inches.



## WARNING:

If the information in this manual is not followed exactly, a fire or explosion may result causing property damage, personal injury or death.

— Do not store or use gasoline or other flammable vapors and liquids in the vicinity of this or any other appliance.

### — WHAT TO DO IF YOU SMELL GAS

- Do not try to light any appliance.
- Do not touch any electrical switch.
- Do not use any phone in your building.
- Immediately call your gas supplier from a neighbor's phone. Follow the gas supplier's instructions.
- If you cannot reach your gas supplier, call the fire department.

— Installation and service must be performed by a qualified installer, service agency or the gas supplier.



## WARNING



- ALL RANGES CAN TIP
- INJURY TO PERSONS COULD RESULT



- INSTALL ANTI-TIP DEVICE
- SEE INSTALLATION INSTRUCTIONS

TO REDUCE THE RISK OF TIPPING OF THE APPLIANCE, IT MUST BE SECURED BY A PROPERLY INSTALLED ANTI-TIP DEVICE. VERIFY THAT THE ANTI-TIP DEVICE IS ENGAGED PER INSTALLATION INSTRUCTIONS. (NOTE: ANTI-TIP DEVICE IS REQUIRED ON ALL 30" AND 36" RANGES)

**Note:** This Range is **NOT** designed for installation in manufactured (mobile) homes or for installation in Recreational Park Trailers.

**DO NOT** install this range outdoors.



**Model PD304**



**Model PD364GL**  
Low Back Model LB36R



**Model PD484GGE**  
Low Back Model LB48R

## Contents

Introduction .....	1-2
Important Installation Information .....	2
Step 1: Ventilation Requirements .....	3
Step 2: Cabinet Preparation .....	4 – 8
Step 3: Unpacking, Moving and Placing the Range .....	9 – 10
Step 4: Installing Anti-Tip Device .....	11 – 12
Step 5: Gas Requirements and Hookup .....	13
Step 6: Electrical Requirements, Connection and Grounding .....	14 – 16
Step 7: Backguard Installation .....	17
Step 8: Door Installation .....	18
Step 9: Test and Adjustment .....	19
To Clean and Protect Exterior Surfaces .....	19
Installer Checklist .....	20

# Important Installation Information

## Introduction

The Thermador Professional® Ranges are free standing units available in a number of configurations.

Model PD304 is equipped with four sealed gas surface burners and a 30-inch electric convection self-cleaning oven with broil capability. Models PD364GE, PD364GL, and PD366 feature a gas cooking surface with four sealed gas surface burners with either an electric griddle or gas grill or six sealed gas surface burners plus a 36-inch electric convection, self-cleaning oven with broil capability. Models PD484GGE, PD486GE, and PD486GL feature a gas cooking surface with four sealed burners, electric griddle and gas grill, six sealed burners and an electric griddle, or six sealed burners and a gas grill. PD48 Ranges provide a large electric convection, self-cleaning oven (the same as used in the PD36 Ranges) and a small electric oven with bread proofing and warming features as well as bake and broil capability.

## GAS TYPE VERIFICATION

Verify the type of gas supplied to the location. Ensure that the appliance is connected to the type of gas for which it is certified. All models are certified for use with natural gas. Field conversion of the appliance for use with propane gas supply will require a conversion kit.

## IMPORTANT

- A backguard must be utilized when there is less than a 12" horizontal clearance between combustible materials and the back edge of the range. The Thermador Low Back backguard must be ordered separately and installed at the rear of the range. For island installations and other installations with more than 12" clearance, an optional stainless steel Island Trim is available to cover the backguard mounting flanges.
- Verify that the appliance is correct for the type of gas being provided. Refer to Step 5 on Page 13 before proceeding with the installation.

### Gas Supply :

**Natural Gas** - 6 inch water column, (14.9 mb) min.,  
8 inch (20 mb) nominal

**Propane Gas** - 11 inch water column, (27.4 mb),  
14 inch (34.9 mb) maximum

This appliance has been tested in accordance with ANSI Z21.1, Standard for Household Cooking Appliances (USA) and in accordance with CAN 1.1-M81 Domestic Gas Ranges (Canadian).

It is strongly recommended that this appliance be installed in conjunction with a suitable **overhead vent hood**. (See Step 1 for Ventilation Requirements.) Due to the high heat capability of this unit, particular attention should be paid to the hood and duct work installation to assure it meets local building codes.

### CAUTION

**To eliminate risk of burns or fire caused by reaching over heated surface units, cabinet storage located above the surface units should be avoided.**

Check local building codes for the proper method of appliance installation. Local codes vary. Installation, electrical connections and grounding must comply with all applicable codes. In the absence of local codes the appliance should be installed in accordance with the National Fuel Gas Code ANSI Z223.1/FNPA 54 current issue and National Electrical Code ANSI/NFPA 70-current issue. In Canada, installation must be in accordance with the CAN 1-B149.1 and .2 – Installation Codes for Gas Burning Appliances and/or local codes.

### CAUTION:

When connecting the unit to propane gas, make certain the propane gas tank is equipped with its own high pressure regulator in addition to the pressure regulator supplied with the range. **The maximum gas pressure to this appliance is not to exceed 14.0 inches water column (34.9 mb) from the propane gas tank to the regulator.**

### CAUTION

This unit is designed as a cooking appliance. Based on safety considerations, never use it for warming or heating a room.

This appliance is equipped with an intermittent/interrupted ignition device that cycles the two far left surface burners on and off when in the ExtraLow® setting.



# Step 1: Ventilation Requirements

It is strongly recommended that a suitable exhaust hood be installed above the range. Downdraft ventilation should not be used. The table below indicates the Thermador hoods, by model number, that are recommended for use with all ranges.

## 1. Select Hood and Blower Models:

- For wall installations, the hood width must, at a minimum, equal the width of the range cooking surface. Where space permits, a hood larger in width than the cooking surface may be desirable for improved ventilation performance.
- For island installations, the hood width should, at a minimum, overhang the range cooking surface by 6" on each side.

## IMPORTANT:

Ventilation hoods and blowers are designed for use with single wall ducting. However, some local building codes or inspectors may require double wall ducting. Consult local building codes and/or local agencies, before starting, to assure that hood and duct installation will meet local requirements.

- Hood blower speeds should be variable to reduce noise and loss of heated or air conditioned household air when maximum ventilation is not required. Normally, the maximum blower speed is only required when using the grill.

## 2. Hood Placement:

- For best smoke elimination, the lower edge of the hood should be installed a minimum of 30" to a maximum of 36" above the range cooking surface. (See Fig. 1).
- If the hood contains any combustible materials (i.e. a wood covering), it must be a minimum of 36" above the cooking surface.

## 3. Consider Make-Up Air:

- Due to the high volume of ventilation air, a source of outside replacement air is recommended. This is particularly important for tightly sealed and insulated homes.
- A qualified heating and ventilating contractor should be consulted.

RANGE WIDTH	WALL INSTALLATION		ISLAND INSTALLATION	
	HOOD*	BLOWER**	HOOD*	BLOWER**
30" RANGE	PH30ZS PH30HQS PHE30,36	VTR1000Q, VTR1400Q OR VTN 1000Q	HTNI42YS HNI42YS PHI48ZS	VTR1000Q, VTR1400Q
36" RANGE	PH36ZS, 42ZS PHE36,42 HNW36YS HNW42 YS	VTR1000Q, VTR1400Q or VTN 1000Q VTR1000Q, VTR1400Q VTR1000Q, VTR1400Q	HTNI42YS HNI42YS PHI48ZS	VTR1000Q VTR1400Q
48" RANGE	PH48ZS PH48HQS PHE48,60	VTR1000Q VTR1400Q or VTN 1000Q	HTNI48YS HNI48YS HTNI54YS HNI54YS PHI60ZS	VTR1400Q

**Notes:** \* For wall installations where adequate space is available, the installer or user may elect to use a hood that is wider than the range cooking surface. This may be particularly beneficial for those cases, such as a long duct run or heavy usage of the grill, in which improved capturing of the cooking exhaust is desired.

\*\* Thermador offers a choice of remote (VTR1000Q or VTR1400Q) or in-hood (VTN1000Q) blowers for use in wall installations.

## Step 2: Cabinet Preparation

1. The range is a free standing unit. If the unit is to be placed adjacent to cabinets, the clearances shown in Fig. 1 are required. The same clearances apply to island installations, except for the overhead cabinets, which must have a space wide enough to accept the flared island hood, as indicated in Fig. 1.
2. The 36" ranges may be recessed into the cabinets beyond the edge of the front face of the oven (See Figures 2A and 2B). The 30" and 48" ranges are not approved to be installed flush with the cabinets.
3. The gas and electrical supply should be within the zones shown in Fig. 3A.
4. Any openings in the wall behind the range and in the floor under the range must be sealed.
5. When there is less than a 12" horizontal clearance between combustible material  $\Delta$  and the back edge of the range above the cooking surface, a Thermador Low Back or High Shelf backguard must be installed. (See Fig. 2A). When clearance to combustible material  $\Delta$  is over 12", a Thermador Island Trim may be used. (See Fig. 2B). Figures 2A and 2B indicate the space required for each type of backguard.
6. Always keep appliance area clear and free from combustible materials, gasoline and other flammable vapors and liquids.
7. Do not obstruct the flow of combustion and ventilation air to the unit.

### CAUTION

**In these installations, the door and cabinet on 36-inch models can cause a pinching hazard.**

NOTE: The maximum depth of over head cabinets installed on either side of the hood is 13".

A 36-inch minimum clearance is required between the top of the range and the bottom of an unprotected cabinet. A 30-inch minimum distance is necessary when the bottom of the wood or metal cabinet is protected by not less than 1/4 inch of a flame retardant material covered with not less than No. 28 MSG sheet steel, 0.015 inch (0.4 mm) thick stainless steel, 0.024 inch (0.6 mm) aluminum, or 0.020 inch (0.5 mm) thick copper. Flame retardant materials bear the mark:

#### **UNDERWRITERS LABORATORIES INC. CLASSIFIED MINERAL AND FIBER BOARDS SURFACE BURNING CHARACTERISTICS**

Followed by the flame spread and smoke ratings. These designations are shown as "FHC (Flame Spread/Smoke Developed)." Materials with "O" flame spread ratings are flame retardant. Local codes may allow other flame spread ratings.

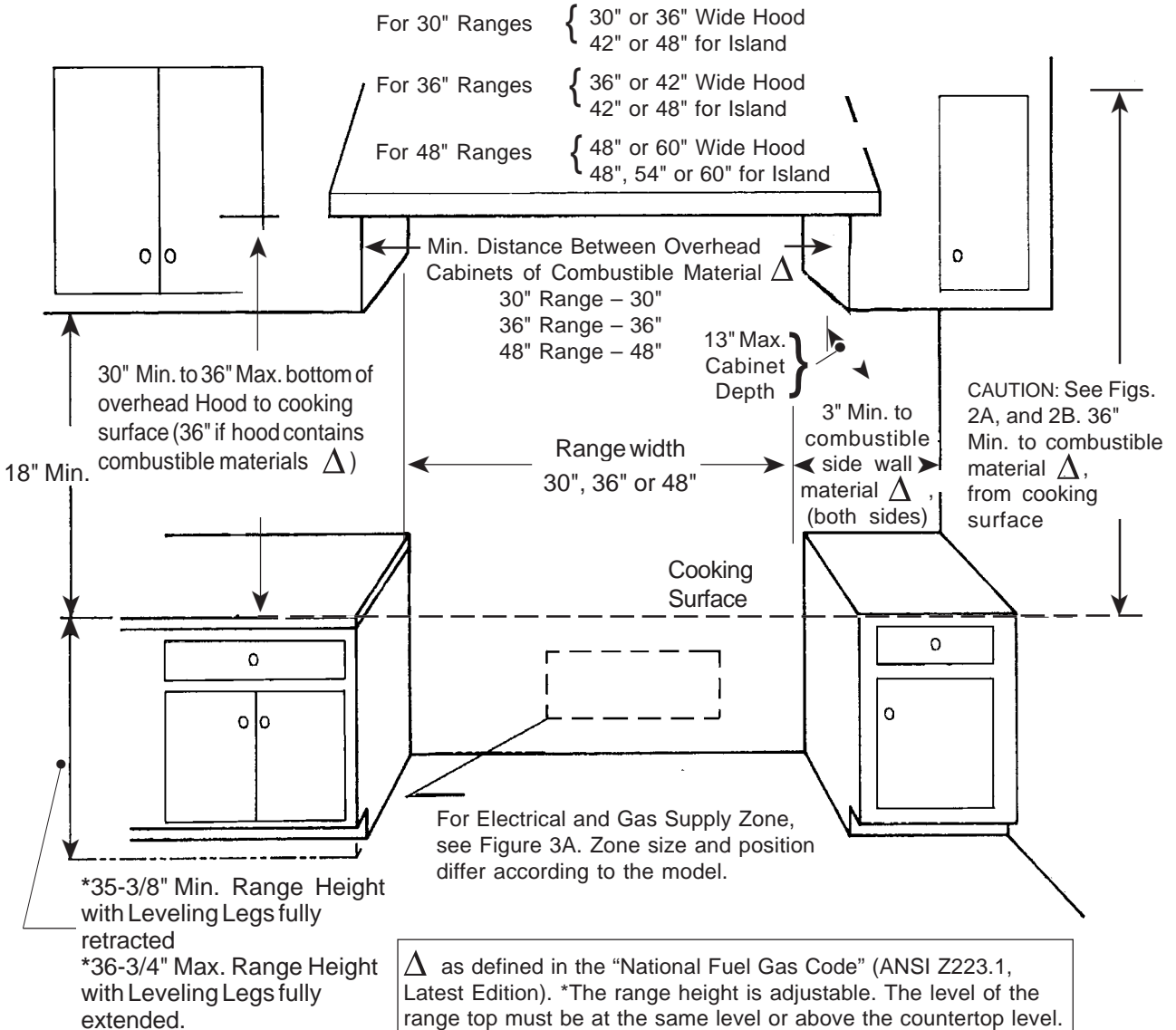
## Step 2: Cabinet Preparation

### CAUTION:

Do not install the Models PD304 and PD48 ranges such that the oven door is flush with the cabinet face. A flush installation could result in damage to the cabinets due to exposure to high heat.

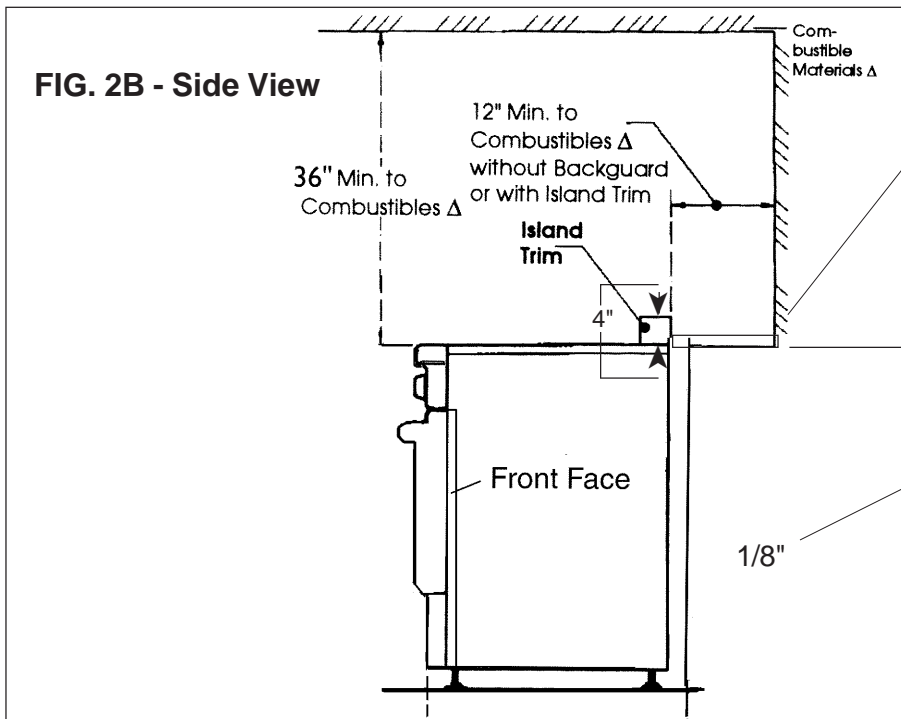
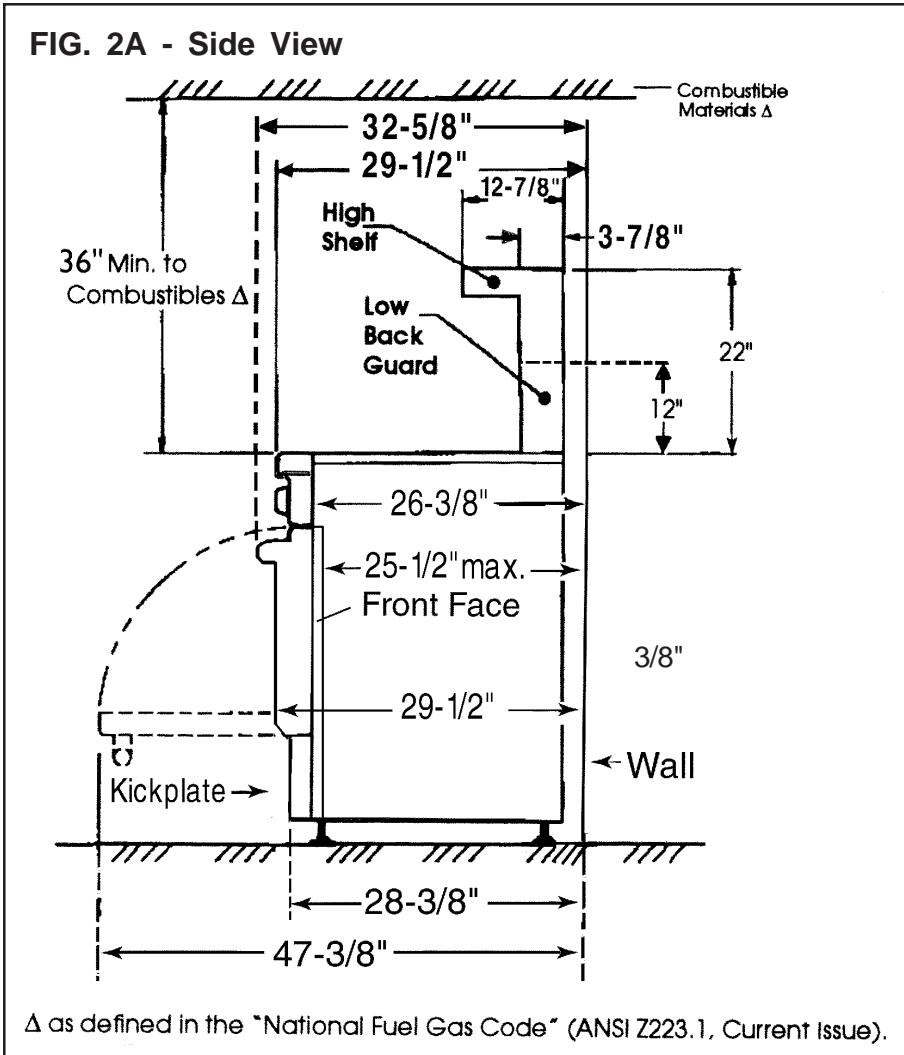
△ As defined in the "National Fuel Gas Code" (ANSI Z223.1, Latest Edition).

**FIG. 1 Cabinet Clearances**





## Step 2: Cabinet Preparation



**NOTE:**  
For Island trim installations, counter surface should have a cantilever edge meeting the back section of the island trim accessory.

**NOTE:**  
If an inner wall is used under the cantilever counter top, there should be a 1/8" gap from the rear of the range to the inner wall.

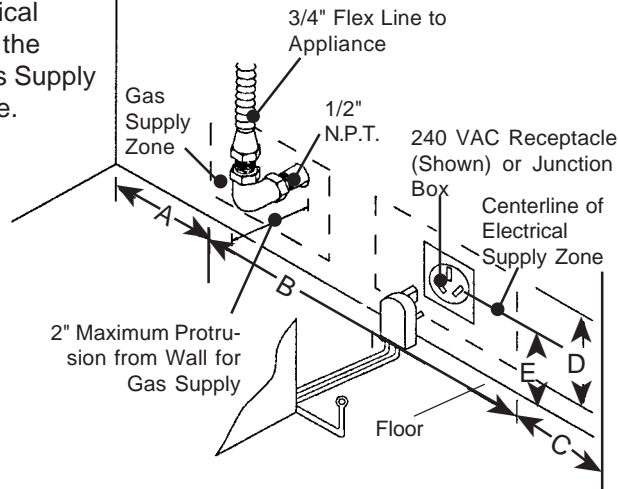
## Step 2: Cabinet Preparation

### GAS AND ELECTRIC SUPPLY ZONES:

**FIG. 3A Gas & Electrical Supply Zone for Dual Fuel Ranges**

Typical placement shown. Other placement of Gas Supply and Electrical Receptacle within the Electrical and Gas Supply Zone is acceptable.

**NOTE:** A Manual Gas Shut-Off Valve (not shown) must be easily accessible through an adjacent cabinet without moving the range.



Model	A	B	C	D	E
PD30	8"	12"	10"	6-1/2"	5-1/4"
PD36	10-1/2"	15"	10-1/2"	6-1/2"	5-1/4"
PD48	16-1/2"	16"	15-1/2"	6-1/2"	5-1/4"

**NOTE:** Any opening in the wall behind the appliance and any opening in the floor under the appliance must be sealed.

The Dual Fuel ranges may be connected to the power supply with a range supply cord kit or by hard-wiring to the power supply. It is the responsibility of the installer to provide the proper wiring components (cord or conduit and wires) and complete the electrical connection as dictated by local codes and ordinances, and/or the National Electric Code. The units must be properly grounded. Refer to Step 6 for details.

**The range must be connected only to the type of gas for which it is certified.** If the range is to be connected to propane gas, ensure that the propane gas supply tank is equipped with its own high pressure regulator in addition to the pressure regulator supplied with the range. (See STEP 5.)

# Step 2: Cabinet Preparation

## ELECTRICAL SUPPLY, DUAL FUEL RANGES

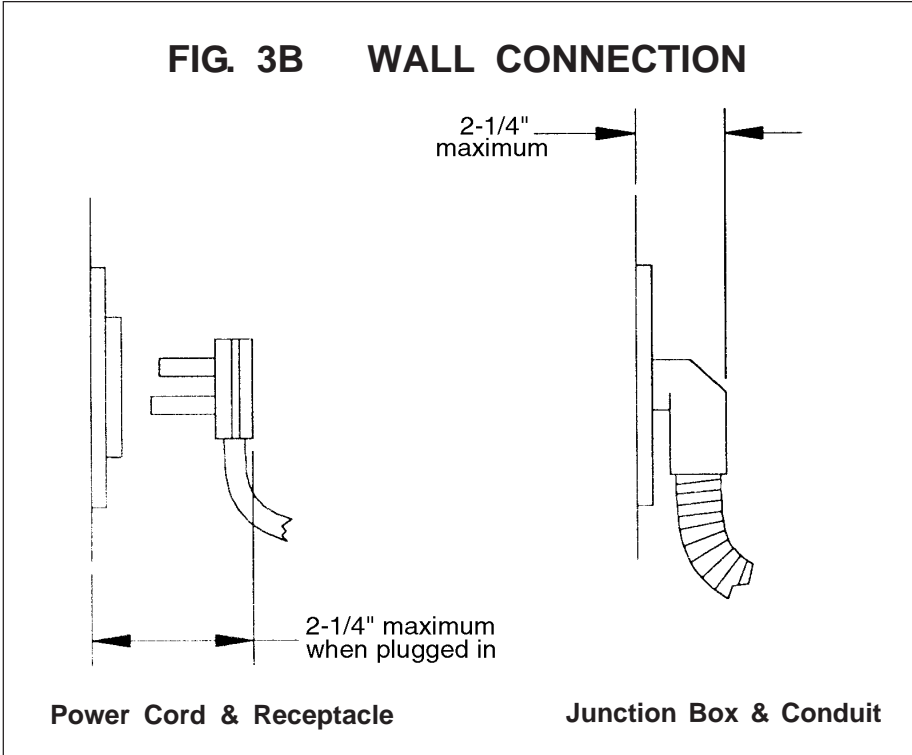
Installation of Dual Fuel ranges must be planned so that the rough-in of the junction box for the receptacle or conduit connection will allow maximum clearance to the rear of the unit.

When the power supply cord (not supplied) or conduit is connected

to the mating receptacle or junction box cover, the combined plug/receptacle or junction box cover/conduit connector should protrude no more than 2-1/4" from the rear wall. See Figure 3B.

This is especially critical if the junction box in the wall will be directly

behind the junction box on the unit when the unit is installed. Refer to Figure 9 on Page 15 for location of junction box on unit. To minimize binding when the unit is connected to the receptacle or junction box, orient the receptacle or conduit connector, and slide back into position.



## Step 3: Unpacking, Moving and Placing The Range

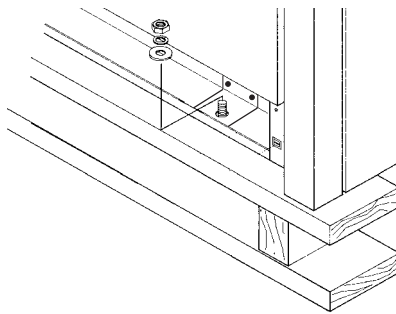
### **CAUTION**

Proper equipment and adequate manpower must be used in moving the range to avoid injury, and to avoid damage to the unit or the floor. The unit is heavy and should be handled accordingly.

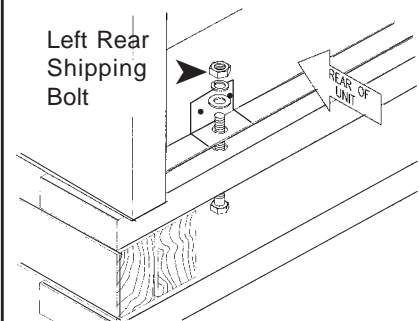
Chart A	30" Range	36" Range	48" Range
Shipping Weight	335 lbs.	444 lbs.	584 lbs.
Weight without packing materials	285 lbs.	390 lbs.	524 lbs.
Without door(s), burner caps, front kick panel and oven racks	215 lbs.	295 lbs.	395 lbs.

- The range has an approximate shipping weight as shown in Chart A. It is recommended that the grates, griddle plate and frame, burner caps, front kick panel and oven racks be removed to facilitate handling. This will reduce the weight as shown in Chart A and allow the range to pass through 30" doorways. See Figs. 2A and 2B on Page 6. **Do not remove the grill or griddle assemblies.**
- Remove the outer carton and packing material from the shipping base. The dual fuel ranges are held to the skid by four (4) bolts (see Fig. 4 and 5). After removing the bolts the range must be lifted and removed from the skid.
- Remove angle-mounting brackets from range. This requires the installer to remove two screws holding each bracket then remove bracket and reinstall screws.

**FIG. 4 – Removal of Two Front Shipping Bolts**

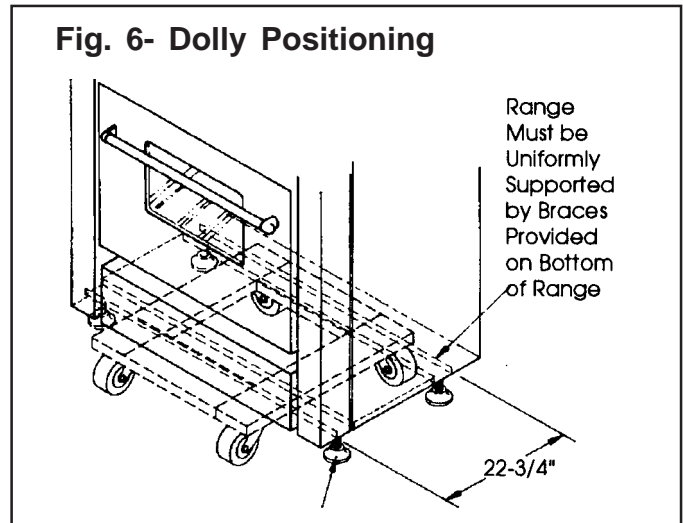


**FIG. 5 – Removal of Two Rear Shipping Bolts**



## Step 3: Unpacking, Moving and Placing The Range

- Due to the weight, a dolly with soft wheels should be used to move this unit. The weight must be supported uniformly across the bottom (See Fig. 6).
- After transporting the professional range by dolly close to its final location, the range can be tipped back and supported on the rear legs while the dolly is carefully removed. **THE FLOOR UNDER THE LEGS SHOULD BE PROTECTED (WOOD STRIPS, CARPET, PANELING, ETC.) BEFORE PUSHING THE UNIT INTO POSITION.** The anti-tip device must be installed (STEP 4), gas and electrical connections should be made (STEPS 5 and 6), and the backguard installed (STEP 7) before the range is placed in its final position.
- For proper performance the professional **range must be level.** (It is very important for all products that have the griddle feature). The range is leveled by adjusting the legs with a wrench.
- Replace the kick panel and install the oven door. **To install door, see Page 18. Do not install the oven door until the range is in its final location. It is important that the two (2) screws retaining the kick panel are secure to prevent accidental access to hot surfaces.**
- **Ensure that the burner caps are correctly seated on the burner bases of the range's cooktop.**



### Griddle Tilt Adjustment

Check the griddle frame adjustment by pouring two tablespoons of water on the back of the griddle plate. The water should slowly roll into the grease tray. If not, adjust the two screws under the back of the griddle frame. Start with one half turn CCW of the screws. Further adjustment should be made by one-quarter turn until water slowly flows into the grease tray.

## Step 4: Installing Anti-Tip Device

For all 30" and 36" ranges, an anti-tip device must be installed as per these instructions.



### WARNING

#### RANGE TIPPING HAZARD

- All ranges can tip and injury can result. To prevent accidental tipping of the range, attach it to the floor, wall or cabinet by installing the Anti-Tip Device supplied.
- A risk of tip-over may exist if the appliance is not installed in accordance with these instructions.
- If the range is pulled away from the wall for cleaning, service or any other reason, ensure that the Anti-Tip Device is properly reengaged when the range is pushed back against the wall. In the event of abnormal usage (such as a person standing, sitting, or leaning on an open door), failure to take this precaution can result in tipping of the range. Personal injury might result from spilled hot liquids or from the range itself.



### WARNING

- ALL RANGES CAN TIP
- INJURY TO PERSONS COULD RESULT
- INSTALL ANTI-TIP DEVICES PACKED WITH RANGE
- SEE INSTALLATION INSTRUCTIONS



### WARNING

#### ELECTRICAL SHOCK HAZARD

- Use extreme caution when drilling holes into the wall or floor. There may be concealed electrical wires located behind the wall or under the floor.
- Identify the electrical circuits that could be affected by the installation of the Anti-Tip Device, then turn off power to these circuits.
- Failure to follow these instructions may result in electrical shock or other personal injury.

### CAUTION

#### PROPERTY DAMAGE

- Contact a qualified installer or contractor to determine the proper method for drilling holes through the wall or floor material (such as ceramic tile, hardwood, etc.)
- Do not slide the range across an unprotected floor.
- Failure to follow these instructions may result in damage to wall or floor coverings.

### Tools Needed for Installation of Anti-Tip Device:

- Screwdriver, Phillips
- Drill, electric or hand
- Measuring tape or ruler
- 1/8" drill bit (wood or metal wall or floor)
- 3/16" carbide-tipped masonry drill bit (concrete or concrete block wall or floor)
- 3/16" anchors, drywall or concrete, 2 each (not required if mounting bracket is being attached to solid wood or metal)
- Hammer
- Pencil or other marker

## Step 4: Installing Anti-Tip Device

### PD30 and PD36 Duel Fuel Ranges (Figures 8A and 8B)

Thermador Service Part No.	Qty	Description
415078	4	Screw, Phillips, #10 x 1-1/2"
487310	1	Anti-Tip Bracket, Floor-Mounted

#### IMPORTANT INSTALLATION INFORMATION:

- The anti-tip bracket may be attached to a solid wood cabinet having a minimum wall thickness of 3/4".
- The thickness of the wall or floor may require use of longer screws, available at your local hardware store.
- In all cases, at least two (2) of the bracket mounting screws must be fastened to solid wood or metal.
- Use appropriate anchors when fastening the mounting bracket to any material other than hardwood or metal.
- Prepare holes at fastener locations as identified below:
  - For walls, wall studs, or floors composed of solid wood or metal, drill 1/8" pilot holes.
  - For walls or floors composed of drywall, sheet-rock or other soft materials, drill 3/16" holes to a minimum depth of 1-3/4", then tap plastic anchors into each of the holes using a hammer.
  - For walls or floors composed of concrete or concrete block, drill 3/16" holes to a minimum depth of 1-3/4", then tap concrete anchors into each of the holes using a hammer.
  - For walls or floors having ceramic tile covering, drill 3/16" holes through the tile only, then drill into the material behind the tile as indicated immediately above.
- If the range is moved to a new location, the Anti-Tip Device must be removed and reinstalled.

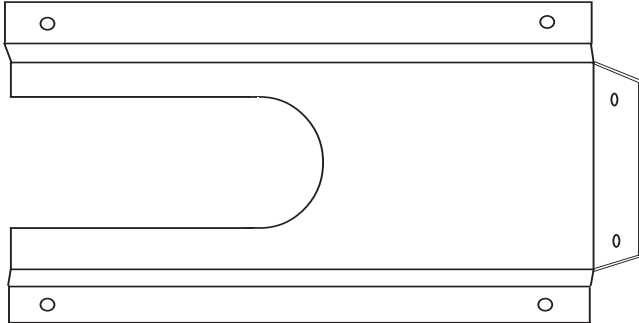
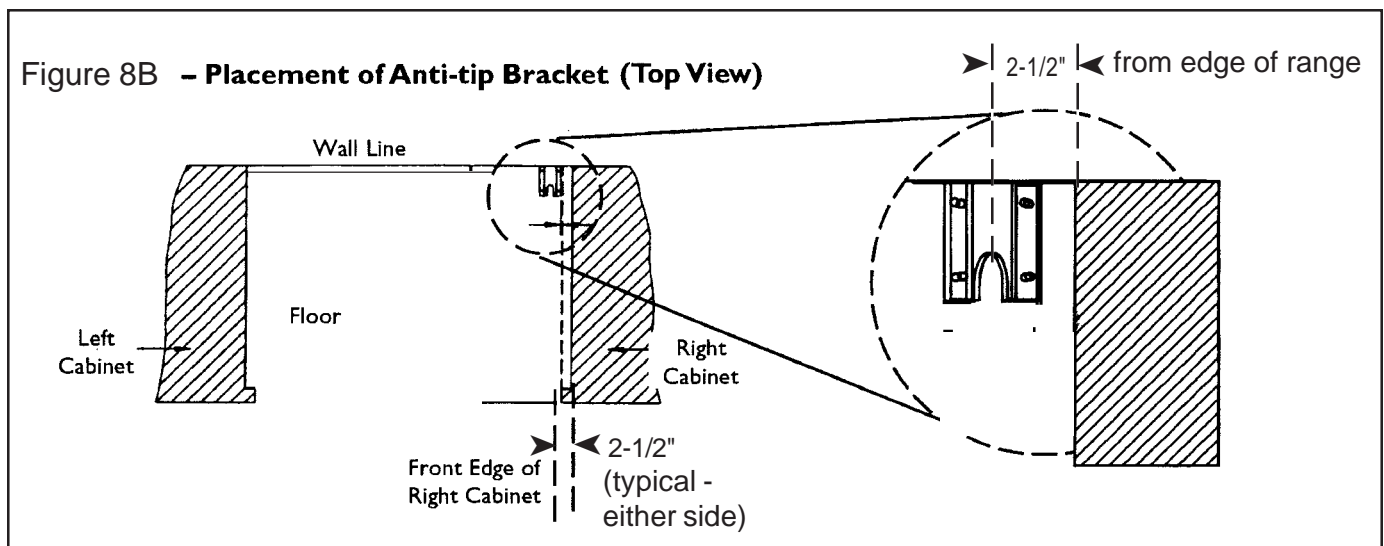


Figure 8A - Mounting Anti-tip Bracket

#### MOUNTING ANTI-TIP BRACKET

The alternative floor mounted bracket shall be installed as follows:

- Place bracket on floor in position shown in Figure 8B.
- Secure to floor or wall stud.
- Later, when the unit is installed, the adjustable leg will slide under the bracket.





## Step 5: Gas Requirements and Hookup

Verify the type of gas being used at the installation site. As shipped from the factory, units are configured for use with natural gas. Make certain the range matches the type of gas available at this location.

For installation of the appliance at high altitude, please consult your local gas company for their recommendation of the correct orifice sizes and any other necessary adjustments that will provide proper gas combustion at specified altitudes.

### CAUTION

When connecting unit to propane gas, make certain the propane gas tank is equipped with its own high pressure regulator in addition to the pressure regulator supplied with the appliance. The pressure of the gas supplied to the appliance regulator must not exceed 14" (34.9 mb) water column.

#### Natural Gas Requirements:

Inlet Connection: 3/4" N.P.T. external  
1/2" N.P.T. internal  
(Minimum 3/4" dia. flex line.)  
Supply Pressure: 6" to 14" water column.  
(14.9 to 34.9 mb)  
Manifold Pressure: 5" water column (12.5 mb)

#### Propane Gas Requirements:

Inlet Connection: 3/4" N.P.T. external  
1/2" N.P.T. internal  
(Minimum 3/4" dia. flex line.)  
Supply Pressure: 11" to 14" water column.  
(27.4 mb to 34.9 mb)  
Manifold Pressure: 10" water column (24.9 mb)

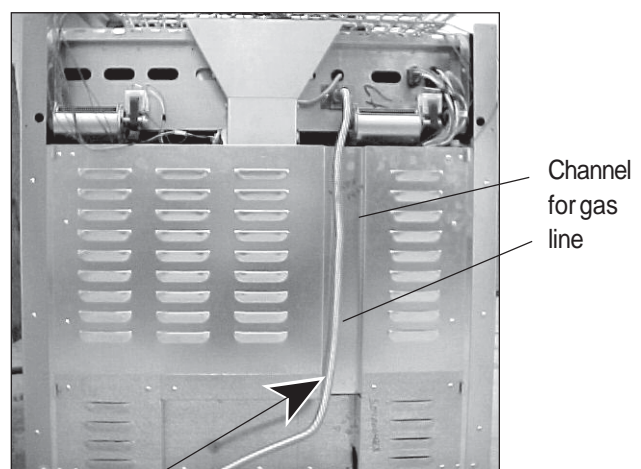
### WARNING

Gas line must not come in contact with any components inside back cover of range. Run gas line in channel in back of range.

#### HOOK UP

- A manual gas shut-off valve must be installed external to the appliance, in a location accessible from the front, for the purpose of shutting off the gas supply. The supply line must not interfere with the back of the unit. Make sure the gas supply is turned off at the manual shut-off valve before connecting the appliance.
- The range is supplied with its own pressure regulator that has been permanently mounted within the range body.
- Use 3/4" flex line to connect between the gas supply and the appliance manifold pipe, which exits the upper rear of the appliance. The appliance manifold pipe connection is 3/4" NPT. (See Photo A.) Use caution to avoid crimping the 3/4" flex line when making bends.
- The gas supply connections should be made by a competent technician and in accordance with local codes or ordinances. In the absence of a local code, the installation must conform to the National Fuel Gas Code ANSI Z223.1/NFPA54-current issue.
- Always use pipe dope or Teflon® tape on the pipe threads, and be careful not to apply excessive pressure when tightening the fittings.
- Leak testing of the appliance shall be in accordance with the following instructions.
  - Turn on gas and check supply line connections for leaks using a soap and water solution.
  - Bubbles forming indicate a gas leak. Repair all leaks immediately after finding them.
  - **Do not use a flame of any kind to check for gas leaks.**

Photo A



Use 3/4" flex line to connect between the gas supply and the appliance manifold pipe, which exits the upper rear of the appliance.



## Step 6: Electrical Requirements, Connection & Grounding

- Prior to servicing appliance, always disconnect appliance electrical supply cord, if so equipped, from wall receptacle. If appliance is hard-wired to power supply, disconnect power to unit by turning off the proper circuit breaker or disconnecting the proper fuse.

Dual Fuel range models PD 304, PD36 and PD48 can be connected or hard-wired to the power supply as described on Page 15.

Chart C: Electrical Supply Circuit Requirements					
MODEL	NUMBER	VOLTAGE	CIRCUIT RATING	FREQUENCY	PHASE
PD304		120/240 VAC	35 Amps	60 Hz.	Single
PD36		120/240 VAC	35 Amps	60 Hz.	Single
PD48		120/240 VAC	50 Amps	60 Hz.	Single

- For the PD Dual Fuel Ranges, a neutral supply wire must be provided from the power source (breaker/fuse panel) because critical range components, including the surface burner spark reignition module, require 120 VAC to operate safely and properly. An improper 120/240 VAC power supply will cause malfunction, damage this appliance, and possibly create a condition of shock hazard. If the correct power supply circuit is not provided, it is the responsibility and obligation of the installer and user to have proper power supply connected. This must be accomplished in accordance with all applicable local codes and ordinances by a qualified electrician. In the absence of local codes and ordinances, the power supply connection shall be in accordance with the National Electric Code.
- Observe all governing codes and ordinances when grounding. In the absence of these codes or ordinances observe National Electrical Code ANSI/NFPA No. 70 current issue. See Pages 15 and 16 for grounding method.
- Electrical wiring diagrams and schematics have been placed in the toe kick area of the range for access by a qualified service technician.
- The PD Dual Fuel Ranges may be connected to a 120/208 VAC power supply.

CHART D: POWER SUPPLY WIRE-RATING AND SIZE REQUIREMENTS					
MODEL NUMBER	VOLTAGE RATING, MIN.	TEMPERATURE RATING	CONDUCTOR SIZE, AWG		
			L1, L2	NEUT	GROUND
PD304	300 VAC	Type T or Equal	10	12	10
PD36	300 VAC	Type T or Equal	10	12	10
PD48	300 VAC	Type T or Equal	8	10	8

### CAUTION

The appliance must be isolated from the gas supply piping system by closing its individual manual shut-off valve during any pressure testing of the gas supply piping system at test pressures equal to or less than 1/2 psig (3.5 kPa.).

The appliance and its individual shut off valve must be disconnected from the gas supply piping system during any pressure testing of the system at test pressures in excess of 1/2 psig (3.5 kPa.).

When checking the manifold gas pressure, the inlet pressure to the regulator should be at least 6" W.C. (14.9 mb) for natural gas or 11" W.C. (27.4 mb) for propane.

Do not attempt any adjustment of the pressure regulator.

## Step 6: Electrical Requirements, Connection & Grounding

Dual Fuel models must be connected to the power supply utilizing one of the following methods. For all methods of connection, the length of the cord or conduit/wiring must allow the unit to be slid completely out of the cabinet without having to unplug or disconnect the unit from the power supply. Recommended minimum free length of cord or conduit is four feet. Electrical installations and grounding must be in accordance with all local codes and ordinances, and/or the National Electric Code, as applicable.

- **4-CONDUCTOR CORD - NORMALLY, A UNIT MUST BE CONNECTED TO THE POWER SUPPLY WITH A 3-POLE, 4-CONDUCTOR CORD KIT RATED 125/250 VOLTS, 50 AMPERES, AND MARKED FOR USE WITH RANGES.** The cord kit must be attached to the range junction box with a strain relief which will fit a 1" diameter hole. If not already equipped, the cord must have 1/4" faston closed-loop lugs attached to the free ends of the individual conductors, preferably soldered in place.

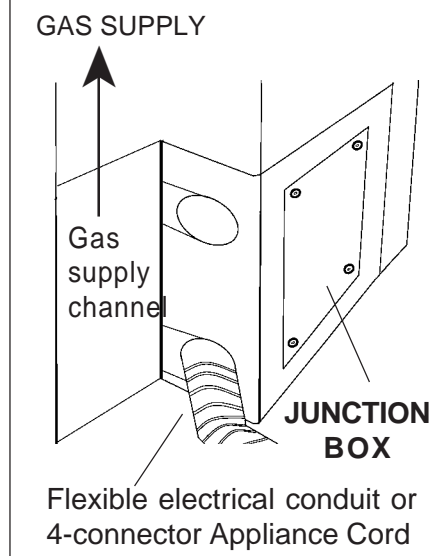
- **PERMANENT CONNECTION (HARD WIRING)** - Units may be hard wired to the power supply. The installer must provide approved flexible aluminum conduit, 3/4" trade size, maximum 6 feet long. Locate the junction box on the rear of the unit and remove cover. Refer to Fig. 9. Remove the ground strap retaining screw and bend the ground strap up. Refer to Fig. 10. The conduit must be installed to

the junction box using an approved conduit connector.

Wiring for the unit is to be brought into the junction box through the conduit. Refer to Chart D on Page 15 for rating of wiring and sizing of individual conductors. The ends of the wiring must have 1/4" faston closed-loop lugs attached, preferably soldered in place. Make the connections to the terminal block provided. Secure the ground lead to the junction box with the screw previously used to secure the ground strap. Refer to Fig. 11. The free end of the conduit must be connected to a junction box provided in the gas and electrical supply zone, as shown in Figure 3A on Page 8.

- **3-CONDUCTOR CORD - WHERE LOCAL CODES AND ORDINANCES PERMIT GROUNDING THROUGH NEUTRAL, AND CONVERSION OF SUPPLY TO 4 WIRE IS IMPRACTICAL, UNIT MAY BE CONNECTED TO THE POWER SUPPLY WITH A 3-POLE,**

FIG. 9 - Location of Junction Box on dual fuel ranges.



### **3-CONDUCTOR CORD KIT RATED 125/250 VOLTS, 50 AMPERES, AND MARKED FOR USE WITH RANGES.**

The cord kit must be attached to the range junction box with a strain relief which will fit a 1" diameter hole. If not already equipped, the cord must have 1/4" faston closed-loop lugs attached to the free ends of the individual conductors, preferably soldered in place.

## Step 6: Electrical Requirements, Connection & Grounding

A 3- or 4-conductor supply may be connected to the terminal block.

### 3-WIRE LEAD CONNECTION

1. Remove upper nuts only from the terminal block studs. **Do not remove nuts which secure range internal wiring leads.**
2. Secure the neutral, grounded wire of the supply circuit, to the center stud of the terminal block with nut. (See Fig. 11).
3. Secure the L1 (black) and L2 (red) power leads to the outside terminal block studs (brass colored) with nuts.
4. Tighten nuts securely.

### 4-WIRE CONNECTION

1. Remove upper nuts only from the terminal block studs. **Do not remove lower nuts which secure range internal wiring leads.**
2. Remove ground strap screw and bend the strap up as shown in Fig. 12
3. Secure the neutral wire to the center stud of the terminal block with nut.
4. Secure the L1 (black) and L2 (red) power leads to the outside terminal studs (brass colored) with nuts.
5. Secure the bare copper ground lead to the range chassis using the ground screw previously used for the ground strap. Be sure that neutral and ground terminals do not touch.
6. Tighten all connections securely.

FIG. 10 Conductor Securement

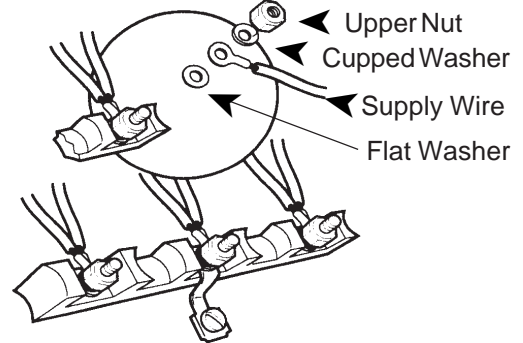


FIG. 11 3 Wire Connection

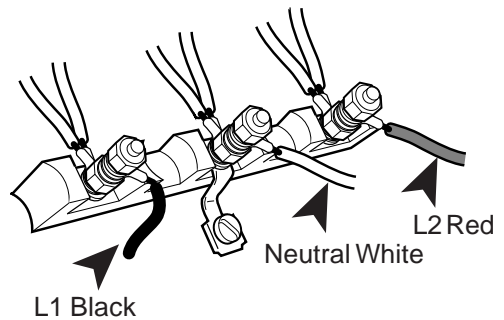


FIG. 12 Ground Strap

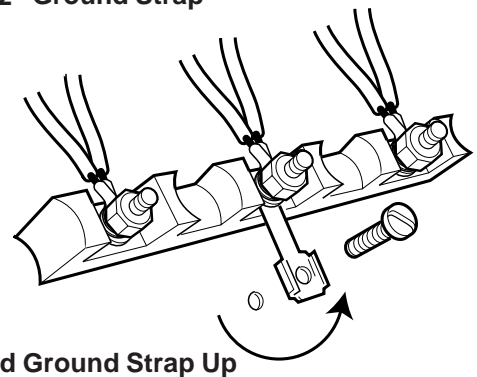
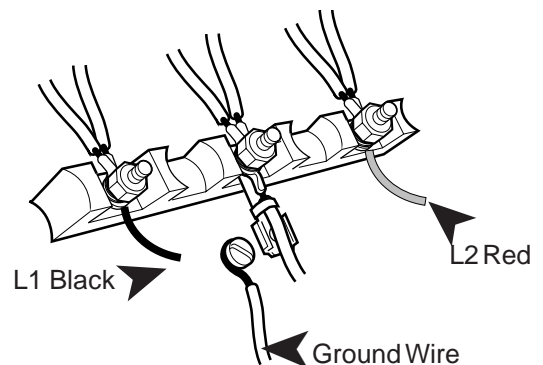


FIG. 13 Secure Neutral Wire

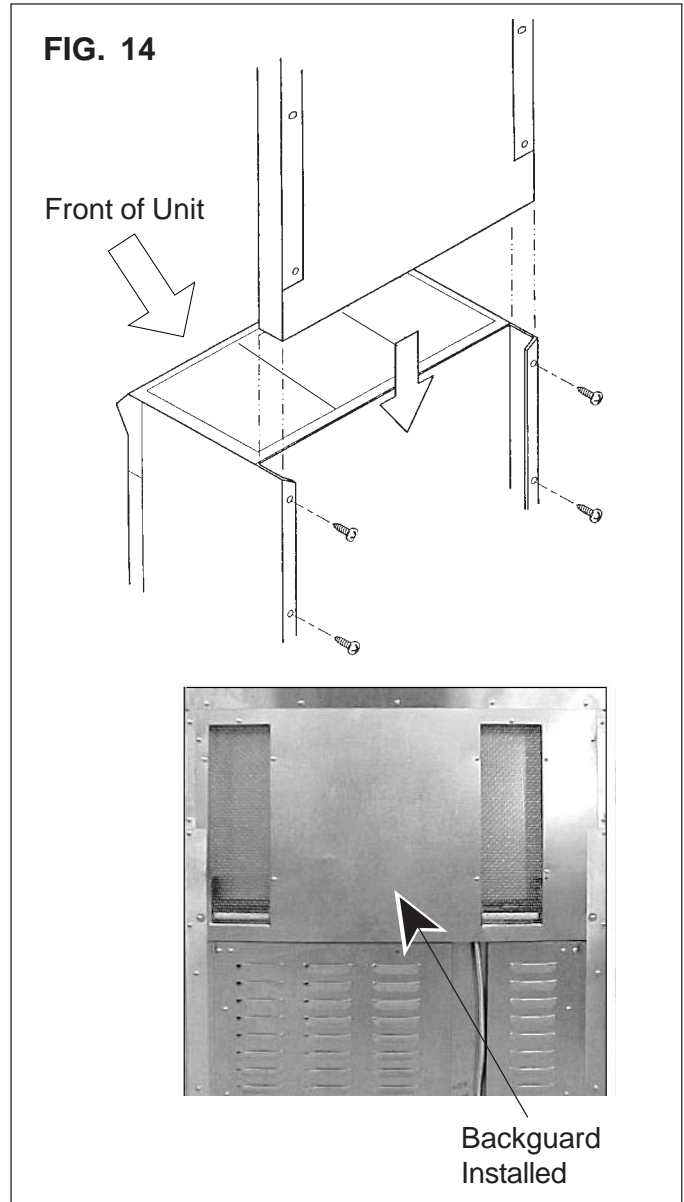


## Step 7: Backguard Installation

The backguard must be attached before sliding the range into the final installed position. A Low Back or High Shelf backguard must be installed when there is less than a 12" clearance between combustibles and the back of the range above the cooking surface. (See Fig. 2A and 2B on Page 7).

An Island Trim is available for covering the backguard mounting flanges for island installations, where there is a minimum of 12" of horizontal clearance between combustibles and the back of the range. (See Fig. 2B on Page 7).

The backguard is inserted, as shown in Fig. 14, into the guide channels on the back of the range. Secure the backguard with the (4) sheet metal screws provided.



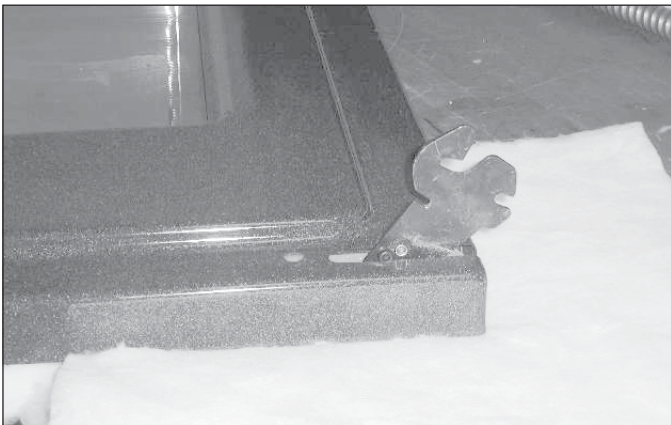
<b>Chart C: BACKGUARD KIT MODEL NUMBERS</b>				
<b>RANGE MODEL NO.</b>	<b>9" STD. LOW BACK</b>	<b>12" LOW BACK</b>	<b>22" HIGH SHELF</b>	<b>3-3/4" ISLAND TRIM</b>
PD304	Included with Range	N/A	HS30R	IT30R
PD36	N/A	LB36R	HS36R	IT36R
PD48	N/A	LB48R	HS48R	IT48R

## Step 8: Door Installation

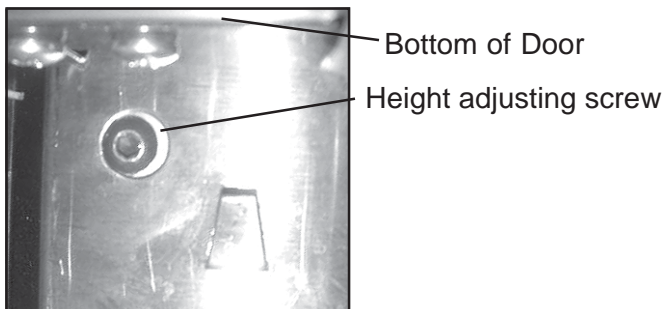
### CAUTION

The door is heavy and requires two people to handle it properly.

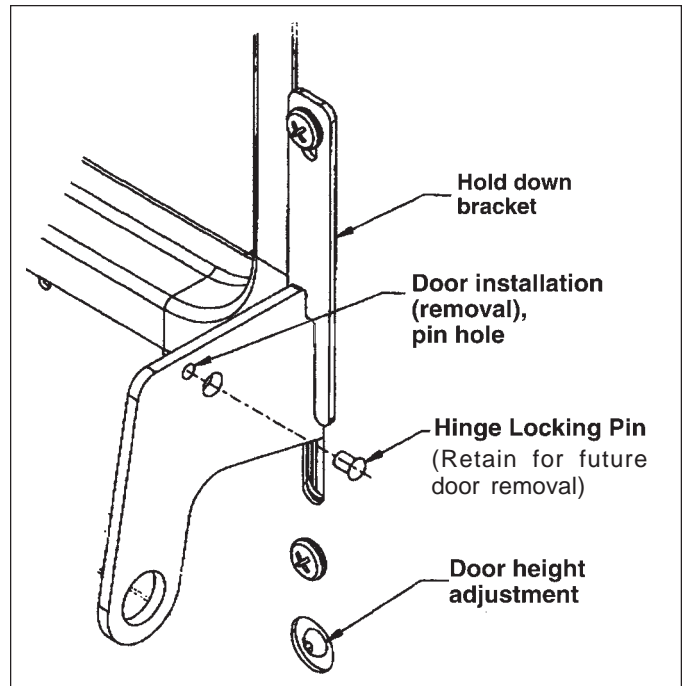
1. Insert the door hinge into the hinge pocket in the front frame. When the door is properly installed, the bottom edge will be parallel to the front of the range and the hinge will click into position and support the weight of the door.
2. Tip the door parallel to the floor to free the hinge locking pin.
3. Carefully remove the pins. The door is now free to close. Install the hold down bracket. Do not tighten screw. Retain pins for future door removal.
4. Adjust the door height so the latch lock lever and spacer gauge enters the slot in the door liner as the door is closing and the top of the door should be parallel to the bottom of the control panel. Tighten down screw on hold down bracket.
5. Oven door hinges seated and hold down bracket is located in proper locked position. Now the door opens and closes properly.
6. **The toe kick panel should be mounted last to prevent damage by the door.**



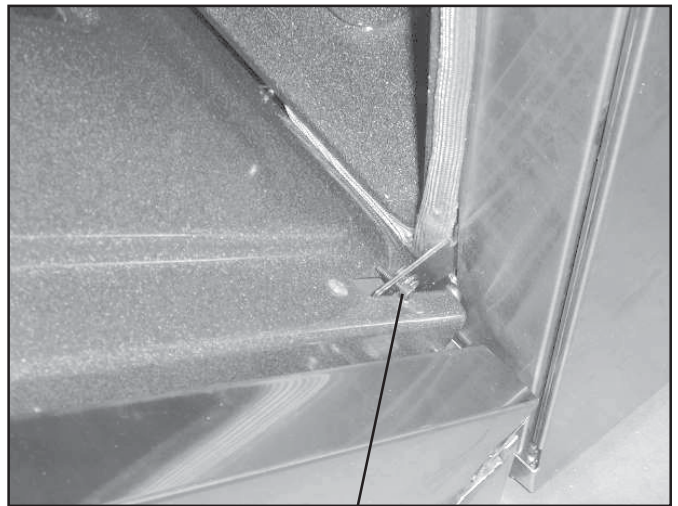
**Photo B.** Insert the door hinge into the hinge pocket in the front frame.



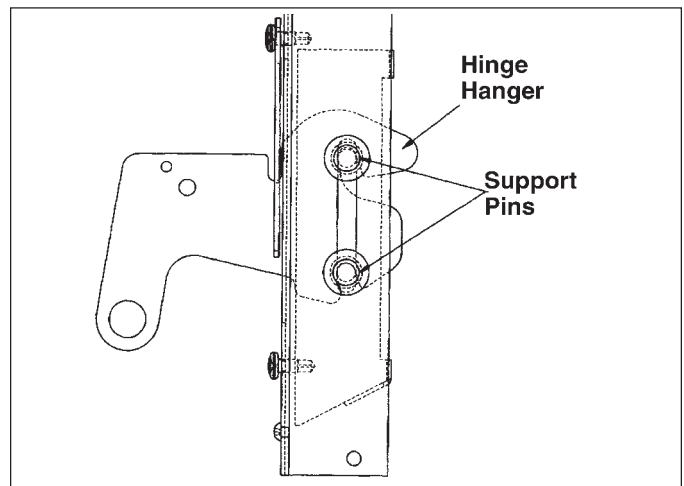
**Photo D**



**Fig. 15**



**Photo C** Hinge Locking Pin



**Fig. 16**



## Step 9: Test and Adjustment

Install any loose components, such as burner caps and grates, that may have been removed earlier. Be certain that burner caps seat properly into the alignment slots in the burner bases. Before testing operation of the appliance, verify that the unit and the gas supply have been carefully checked for leaks and that the unit has been connected to the electrical power supply. Turn the manual gas shut-off valve to the open position. Check operation of the sealed gas burners and grill by pushing and turning each knob counterclockwise to "HI". The burner igniters will click until the flame ignites. The two far left sealed burners feature XLO<sup>®</sup>, causing the flame to cycle on and off when the knob is set to the XLO range. This is normal operation. **EACH GAS BURNER MUST BE EVALUATED FOR CORRECT FLAME PERFORMANCE IMMEDIATELY AFTER INSTALLATION OF THIS APPLIANCE.** In PD Range models, air shutter for the grill burner (NOT top burners) is preadjusted at the factory. However, environmental or installation conditions may require readjustments. Flame evaluation is per-

### CAUTION

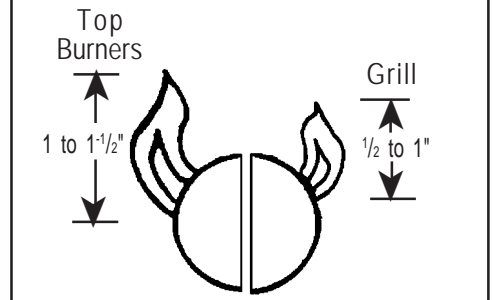
Burner adjustments must be made by a qualified technician at the time of installation. Extreme care should be used when adjustments are made after installation. Improper or lack of adjustments may cause harmful by-products or void your warranty.

formed with burner's control knob at highest setting. If the PLPKIT is used to convert this appliance from Natural to Propane Gas, flame evaluation and air shutter readjustments must be performed—see instructions provided with the PLPKIT for correct recommendations.

Burner flames should be blue and stable with no yellow tips, excessive noise, or lifting of the flame from the burner. If any of these conditions exist, check that the air shutter (grill only) or burner ports are not blocked or clogged. Remove any blockages that exist. If the flame is too yellow, indicating insufficient air, increase the shutter opening to increase air inlet (grill only).

The sealed top burner flames should be approximately 1" to 1-1/2" high. The grill flames should be as shown in Fig. 17. NOTE: No air shutter or low flame adjustment is necessary or possible with the sealed top burners.

**FIG. 17 – Proper Flame (Approx.)**



## To Clean and protect Exterior Surfaces

The stainless steel surfaces may be cleaned by wiping with a damp soapy cloth, rinsing with clear water and drying with a soft cloth to avoid water marks. Any mild glass cleaner will remove fingerprints and smears.

For discolorations or deposits that persist, refer to the Care and Use Manual.

To polish and protect the stainless steel, use a cleaner/polish such as Stainless Steel Magic<sup>®</sup>.

**DO NOT** allow deposits to remain for long periods of time.

**DO NOT** use ordinary steel wool or steel brushes. Small bits of steel may adhere to the surface causing rust.

**DO NOT** allow salt solutions, disinfectants, bleaches or cleaning compounds to remain in contact with stainless steel for extended periods. Many of these compounds contain chemicals which could prove harmful. Rinse with water after exposure and wipe dry with a clean cloth.



# INSTALLER CHECKLIST

## FINAL CHECK LIST

- Placement of unit.
- Specified clearances maintained to cabinet surfaces.
- Unit Level – front to back – side to side.
- Burner caps positioned properly on sealed burner bases.
- All packaging material removed.
- Island trim or backguard attached (if horizontal clearance to combustible materials behind cooking surface is less than 12").
- Check door adjustment and hold down brackets.
- Kick panel in place and two (2) screws secure.
- The griddle plate and frame is correctly positioned, tilted slightly forward. (See page 10 for adjustment procedure.)

## GAS SUPPLY

- Connection: 3/4" N.P.T. with a minimum 3/4" diameter flexline.
- The appliance is connected only to the type of gas for which it is certified for use.
- Manual gas shut off valve installed in an accessible location (without requiring removal of range).
- Unit tested and free of gas leaks.
- Gas supply pressure does not exceed 14" W.C. (34.9 mb)

## ELECTRICAL

- Receptacle with correct over-current protection is provided for service cord connection.
- Proper ground connection.
- Proper polarity at receptacle.

## OPERATION

- All internal packing materials removed. Check below grates and grill pans and within oven(s).
- If used on propane gas, verify that the propane gas supply is equipped with its own high pressure regulator in addition to the pressure regulator supplied with the appliance.
- Burner caps properly seated into burner bases.
- Grill components properly seated (not all models). Refer to Use & Care Manual for Grill details.

- Bezels centered on burner knobs, and knobs turn freely.
- Each burner lights satisfactorily, both individually and with other burners operating.
- Air Shutter adjustment for proper flame made for Grill. See Step 9 and Fig.17.
- Griddle is tilted slightly forward and does not rock (not all models).
- Oven door hinges seated and hinge locks in proper position. Door opens and closes properly.
- Burner grates correctly positioned, level, and do not rock.



# INSTRUCTIONS D'INSTALLATION

Pour toutes les cuisinières mixtes Thermador Professional®

Modèles  
PD304  
PD36  
PD48

***Thermador***®

# Veillez lire toutes les instructions avant de poursuivre

- Important :** Conservez ces instructions pour l'inspecteur local de la compagnie de gaz.  
**Installateur :** Veillez laisser ces instructions d'installation avec l'appareil pour le propriétaire.  
**Propriétaire :** Veillez conserver ces instructions pour consultation ultérieure.



## AVERTISSEMENT

Coupez l'électricité avec d'installer l'appareil. Avant de remettre l'électricité, assurez-vous que toutes les commandes sont à la position OFF.

## IMPORTANT

Les réglementations locales varient. L'installation, les raccordements au gaz et les mises à la terre doivent être conformes à toutes les réglementations applicables.

## Pour les installations au Massachusetts :

1. L'installation doit être réalisée par un entrepreneur qualifié ou agréé, un plombier ou un installateur de gaz qualifié ou autorisé par l'État ou la région dans laquelle cet appareil est posé.
2. Le robinet d'arrêt de gaz doit être pourvu d'une poignée en « T ».
3. La longueur maximum autorisée du tuyau de gaz est de 91,4 cm (36").



## AVERTISSEMENT

L'information fournie dans ce manuel doit être très rigoureusement respectée, sous peine d'incendie ou d'explosion entraînant des dommages, des blessures ou la mort.

— Ne stockez pas et n'utilisez pas d'essence ou autres produits inflammables à proximité des appareils.

### — SI VOUS SENTEZ UNE ODEUR DE GAZ

- N'allumez aucun appareil.
  - Ne touchez pas aux interrupteurs électriques.
  - N'utilisez pas les téléphones du bâtiment.
  - Appelez immédiatement votre compagnie de gaz de chez un voisin. Suivez les instructions de la compagnie.
  - Si vous n'arrivez pas à contacter votre compagnie de gaz, appelez les pompiers.
- L'installation et les réparations doivent être réalisées par un installateur qualifié, un centre de service agréé ou la compagnie de gaz.



## AVERTISSEMENT



■ LES CUISINIÈRES PEUVENT BASCULER.

■ DES PERSONNES PEUVENT ÊTRE BLESSÉES.



■ INSTALLEZ UN DISPOSITIF ANTIBASCULE.

■ CONSULTEZ LES INSTRUCTIONS D'INSTALLATION.

POUR DIMINUER LES RISQUES DE BASCULEMENT DE L'APPAREIL, INSTALLEZ UN DISPOSITIF ANTIBASCULE. ASSUREZ-VOUS QUE LE DISPOSITIF ANTIBASCULE EST CORRECTEMENT PLACÉ, CONFORMÉMENT AUX INSTRUCTIONS D'INSTALLATION. (REMARQUE : LE DISPOSITIF ANTIBASCULE EST OBLIGATOIRE SUR TOUTES LES CUISINIÈRES DE 76,2 CM [30"] ET DE 91,4 CM [36"].)

**Remarque:** Cette cuisinière N'EST PAS conçue pour les maisons mobiles ni pour les véhicules récréatifs.

**NE PAS installer cette cuisinière à l'extérieur.**



**Modèle PD304**



**Modèle PD364GL**  
Modèle LB36R à plaque de  
protection basse



**Modèle PD484GGE**  
Modèle LB48R à plaque de  
protection basse

## Table des matières

Introduction .....	24
Informations importantes à propos de l'installation .....	25
Chapitre 1 : Exigences de ventilation .....	26
Chapitre 2 : Préparation de l'emplacement .....	27 – 31
Chapitre 3 : Déballage, manutention et mise en place de la cuisinière .....	32 – 33
Chapitre 4 : Installation du dispositif antibascule.. .	34 – 35
Chapitre 5 : Exigences pour l'alimentation du gaz et raccordement .....	36
Chapitre 6 : Exigences pour l'alimentation électrique, le branchement et la mise à la terre .....	37 – 39
Chapitre 7 : Installation de la plaque de protection .....	40
Chapitre 8 : Installation de la porte .....	41
Chapitre 9 : Test et réglage .....	42
Nettoyage et protection des surfaces extérieures .....	42
Liste de vérification de l'installateur .....	43

# Introduction

Les cuisinières Thermador Professional® sont des appareils monoblocs disponibles en plusieurs configurations.

Le modèle PD304 est équipé d'une table de cuisson de quatre brûleurs à gaz hermétiquement encastrés et d'un four électrique à convection autonettoyant de 76,2 cm (30") avec gril. La table de cuisson des modèles PD364GE, PD364GL et PD366 comporte quatre brûleurs à gaz hermétiquement encastrés avec soit une plaque chauffante, soit un gril ou encore six brûleurs à gaz hermétiquement encastrés plus un four électrique à convection autonettoyant de 91,4 cm (36") avec gril. La table de cuisson des modèles PD484GGE, PD486GE et PD486GL est équipée de quatre brûleurs à gaz hermétiquement encastrés, d'une plaque de cuisson et d'un gril, de six brûleurs hermétiquement encastrés et d'une plaque de cuisson ou de six brûleurs et d'un gril. Les cuisinières PD48 ont un grand four électrique à convection autonettoyant (le même que celui des cuisinières PD36) et un four électrique auxiliaire avec fonctions de cuisson de pain, de maintien au chaud et de cuisson et un gril.

## VÉRIFICATION DU TYPE DE GAZ

Vérifiez quel est le type de gaz fourni sur le lieu d'installation. L'appareil doit être raccordé au type de gaz pour lequel il est certifié. Toutes les cuisinières sont certifiées pour une utilisation avec du gaz naturel. Pour convertir l'appareil au gaz propane sur le lieu d'installation, une trousse de conversion est nécessaire.

## IMPORTANT

- Une plaque de protection doit être mise en place lorsque le dégagement horizontal entre les matériaux combustibles et le bord arrière de la cuisinière est inférieur à 30,5 cm (12"). La plaque de protection basse Thermador doit être commandée séparément et installée à l'arrière de la cuisinière. Pour les installations en îlot et autres installations avec un dégagement de plus de 30,5 cm (12"), un enjoliveur en acier inoxydable est vendu en option afin de recouvrir les brides de montage de la plaque de protection.
- Assurez-vous que l'appareil convient au type de gaz fourni. Consultez le Chapitre 5 à la page 38 avant de procéder à l'installation.

# Information Importante concernant l'installation

Cet appareil a été testé conformément à la norme américaine ANSI Z21.1 en vigueur régissant les appareils électroménagers de cuisson au gaz et conformément à la norme canadienne CAN 1.1-M81 régissant les cuisinières à gaz domestiques.

Il est fortement recommandé d'installer une hotte de ventilation adaptée au-dessus de cet appareil (voir Chapitre 1, Conditions de ventilation). Comme la cuisinière peut dégager une forte chaleur, une attention particulière doit être portée aux travaux d'installation des conduites et de la hotte, lesquels doivent être conformes aux réglementations locales de construction.



## MISE EN GARDE

Pour éliminer les risques de brûlures ou d'incendie provoqués par la chaleur, il est conseillé d'éviter d'installer des armoires au-dessus des tables de cuisson des appareils.

Vérifiez la réglementation locale applicable à la construction pour connaître la méthode appropriée d'installation de l'appareil. Les réglementations locales varient. L'installation, le branchement électrique et la mise à la terre doivent respecter toutes les réglementations applicables. À défaut d'une réglementation spécifique applicable, l'appareil doit être installé conformément à la norme américaine en vigueur régissant le gaz combustible ANSI Z223.1/NFPA54 et l'électricité ANSI/NFPA70. Au Canada, l'installation doit être conforme aux normes canadiennes CAN 1-B149.1 and .2 régissant les cuisinières à gaz domestiques et la réglementation locale.



## MISE EN GARDE

Si l'appareil est alimenté au gaz propane, assurez-vous que le réservoir de propane est équipé de son propre détendeur en plus du détendeur fourni avec la cuisinière. **La pression maximum d'arrivée du gaz dans cet appareil ne doit pas dépasser les 34,9 millibars (14 pouces à la colonne d'eau) entre le réservoir de propane et le détendeur.**



## MISE EN GARDE

Cet appareil est conçu pour un usage culinaire. Pour des raisons de sécurité, ne l'utilisez jamais pour chauffer une pièce

# Chapitre 1 : Conditions de ventilation

Il est fortement recommandé d'installer une hotte de ventilation appropriée au-dessus de la cuisinière. Une ventilation par contre-tirage ne devrait pas être utilisée. Le tableau ci-dessous énumère, par numéro de modèle, les hottes Thermador qu'il est conseillé d'utiliser avec les cuisinières.

## 1. Choix du modèle de hotte et de ventilateur

- Pour les installations murales, la largeur de la hotte doit être au minimum égale à celle de table de cuisson de la cuisinière. Si l'espace le permet, il est souhaitable d'installer une hotte plus large que la table de cuisson pour améliorer les performances de ventilation.
- Pour les installations en îlot, la largeur de la hotte devrait dépasser d'au minimum 15,2 cm (6") des deux côtés de la table de cuisson de la cuisinière.

## MISE EN GARDE

Les hottes de ventilation et les ventilateurs sont conçus pour une seule conduite murale. Certaines réglementations locales du secteur du bâtiment exigent toutefois une double conduite. Consultez les normes applicables et/ou l'administration locale avant de commencer les travaux afin de vous assurer que l'installation des conduites répond aux exigences locales.

- Il convient que la vitesse du ventilateur de la hotte soit réglable afin de réduire le bruit et la perte d'air chaud ou climatisé lorsque la ventilation maximum n'est pas nécessaire. Normalement, la vitesse maximum du ventilateur n'est nécessaire que quand on utilise le gril.

## 2. Emplacement de la hotte

- Pour une meilleure élimination des fumées, le bord inférieur de la hotte doit être placé à une distance minimum de 76,2 cm (30") et maximum de 91,4 cm (36") au-dessus de la table de cuisson (voir Figure 1).
- Si la hotte contient des matériaux combustibles (par exemple, un placage en bois), elle doit être placée à 91,4 cm (36") au minimum au-dessus de la table de cuisson.

## 3. Apport d'air

- Un important volume d'air étant nécessaire pour la ventilation, il est recommandé de prévoir un apport d'air de l'extérieur. Cet aspect revêt une importance particulière dans les logements bien isolés et très étanches.
- Il est conseillé de consulter un entrepreneur en chauffage et en climatisation.

LARGEUR DE LA CUISINIÈRE	INSTALLATION MURALE		INSTALLATION EN ÎLOT	
	HOTTE*	VENTILATEUR**	HOTTE*	VENTILATEUR**
CUISINIÈRE DE 76,2 CM (30 po)	PH30ZS PH30HQS PHE30,36	VTR1000Q, VTR1400Q ou VTN 1000Q	HTNI42YS HNI42YS PHI48ZS	VTR1000Q, VTR1400Q
CUISINIÈRE DE 91,4 CM (36 po)	PH36ZS, 42ZS PHE36,42 HNW36YS HNW42 YS	VTR1000Q, VTR1400Q ou VTN 1000Q VTR1000Q, VTR1400Q VTR1000Q, VTR1400Q	HTNI42YS HNI42YS PHI48ZS	VTR1000Q VTR1400Q
CUISINIÈRE DE 121,9 CM (48 po)	PH48ZS PH48HQS PHE48,60	VTR1000Q VTR1400Q ou VTN 1000Q	HTNI48YS HNI48YS HTNI54YS HNI54YS PHI60ZS	VTR1400Q

**Remarques :** \* Pour les installations murales, si l'espace est suffisant, l'installateur ou l'utilisateur peut choisir une hotte plus large que la table de cuisson de la cuisinière. Elle améliorera l'évacuation des fumées si l'on utilise beaucoup le gril ou si la conduite est longue.

\*\* Pour les installations murales, Thermador propose des modèles de ventilateurs à distance (VTR1000Q ou VTR1400Q) ou incorporés dans la hotte (VTN1000Q).

## Chapitre 2 : Préparation de l'emplacement

1. La cuisinière est un appareil monobloc. Si elle est placée au milieu des armoires, les dégagements requis sont indiqués à la Figure 1. Les mêmes dégagements s'appliquent aux installations en îlot, excepté pour les armoires suspendues qui doivent laisser un espace suffisamment grand pour poser la hotte d'îlot évasée, comme le montre la Figure 1.
2. Les cuisinières de 91,4 cm (36") peuvent être encastrées entre les armoires au-delà du bord de la partie frontale du four (voir Figures 2A et 2B). Les cuisinières de 76,2 cm (30") et de 121,9 cm (48") ne sont pas homologuées pour être installées à ras des armoires.
3. Les arrivées d'électricité et de gaz doivent se trouver dans les zones indiquées à la Figure 3A.
4. La profondeur maximum des armoires installées de chaque côté de la hotte est de 33 cm (13").
5. Toute ouverture dans le mur qui se trouve derrière la cuisinière et dans le plancher sous la cuisinière doit être refermée.
6. Si la distance entre un matériau combustible  $\Delta$  et le bord arrière de la cuisinière au-dessus de la table de cuisson est de moins de 30,5 cm (12"), il est obligatoire d'installer une plaque Thermador de protection arrière, basse ou à étagère supérieure (voir Figure 2A). Si la distance du matériau combustible  $\Delta$  est supérieure à 30,5 cm (12"), il est possible d'utiliser un enjoliveur Thermador pour îlot (voir Figure 2B). Les Figures 2A et 2B indiquent l'espace nécessaire pour chaque type de plaque de protection.
7. L'appareil ne doit jamais se trouver à proximité de matériaux combustibles, d'essence et d'autres produits inflammables (vapeurs ou liquides).
8. L'air de combustion et de ventilation arrivant à l'appareil doit pouvoir circuler librement dans les conduites.



### MISE EN GARDE

Dans ce type d'installation pour les cuisinières de 91,4 cm (36"), la porte et l'armoire peuvent comporter un risque de pincement.

**REMARQUE :** La profondeur maximum des armoires en hauteur installées d'un côté ou de l'autre de la hotte est de 33 cm (13").

Un dégagement minimum de 91,4 cm (36") est nécessaire entre le dessus de la cuisinière et le dessous d'une armoire non protégée. Si le dessous de l'armoire en bois ou en métal est protégé par un matériau ignifuge d'au moins 6,35 mm (1/4") revêtu d'une feuille d'acier n° 28 MSG d'au moins la même épaisseur, de 0,38 mm (0.015") d'acier inoxydable, de 0,6 mm (0.024") d'aluminium ou de 0,5 mm (0.02") de cuivre, la distance minimum est de 76,2 cm (30"). Les matériaux ignifuges portent la marque :

**UNDERWRITERS LABORATORIES INC.  
CLASSIFIED MINERAL AND FIBER BOARDS  
SURFACE BURNING CHARACTERISTICS,**

(panneaux de fibres et minéraux classés, caractéristiques d'inflammation des surfaces), suivie des taux de progression des flammes et des fumées. Ces désignations sont indiquées par « FHC » (Flame Spread/Smoke Developed – Progression des flammes/Production de fumée). Les matériaux ayant un taux « O » de progression de flammes sont ignifuges. Les réglementations locales peuvent autoriser d'autres taux de progression des flammes.



# Chapitre 2 : Préparation de l'emplacement

## MISE EN GARDE

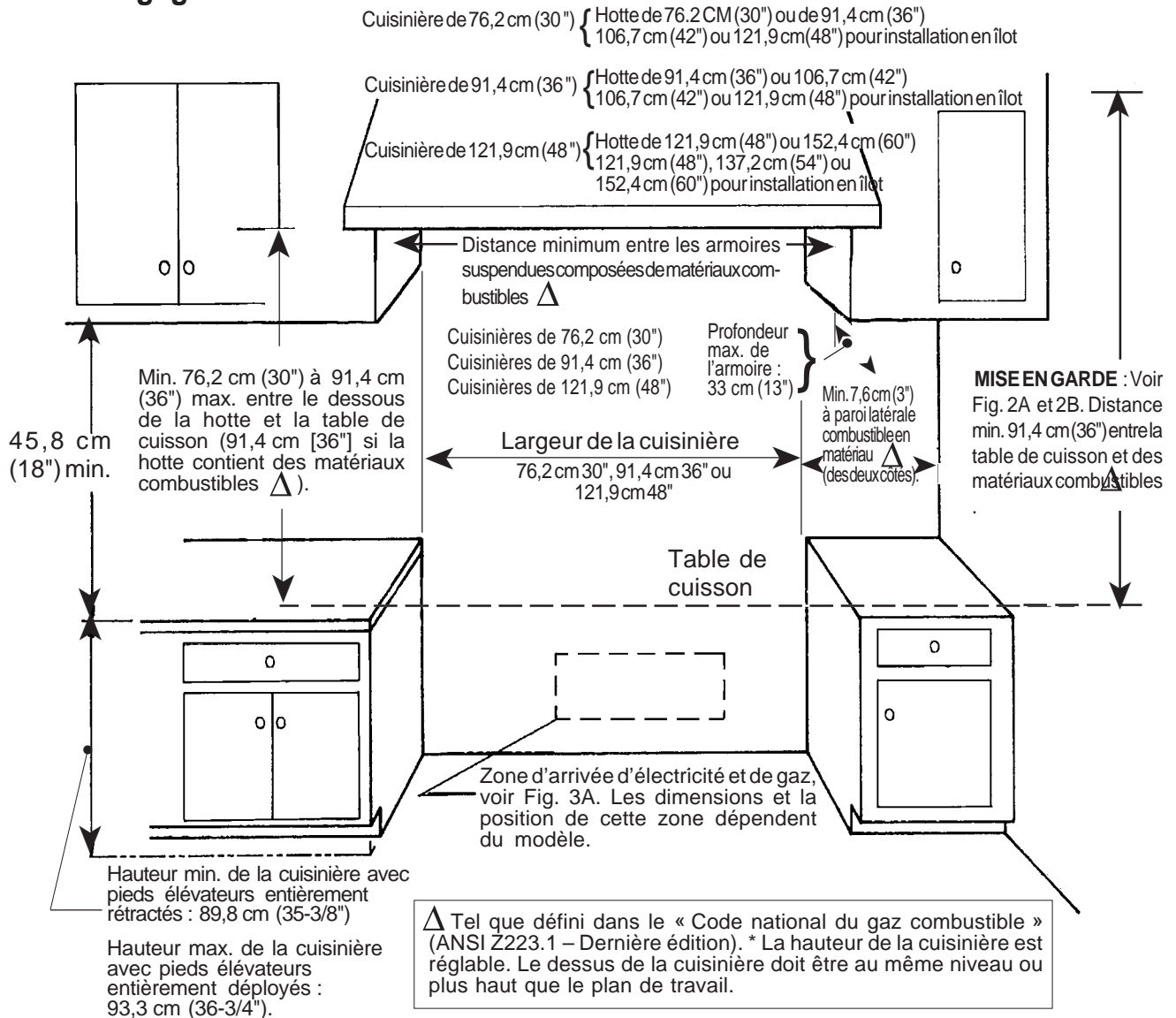
N'installez pas les modèles de cuisinières PD304 et PD48 de telle sorte que la porte du four soit au ras de la partie frontale des armoires. Une installation à même niveau risque d'endommager les armoires dû à leur exposition à la chaleur.

△ Tel que défini dans le « Code national du gaz combustible » (Dernière version de la norme ANSI Z223.1).

## Conversion des mesures

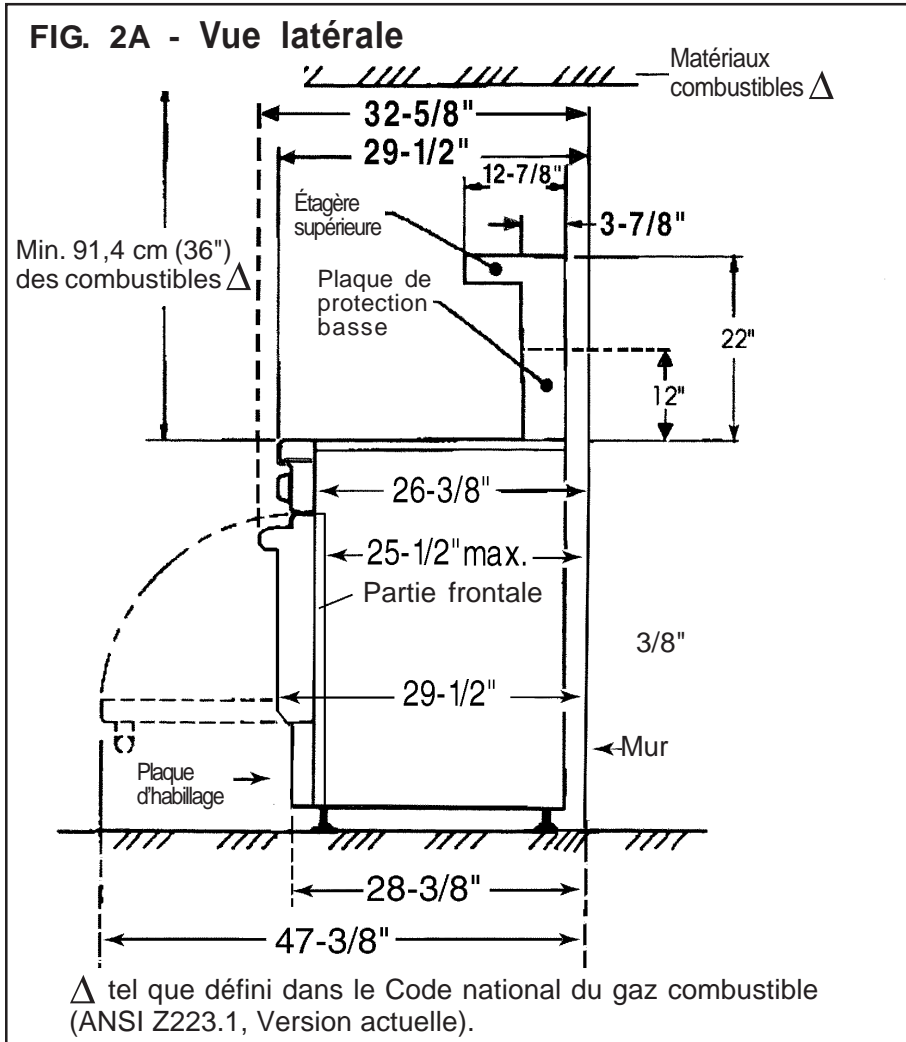
76,2 cm = 30"  
 91,4 cm = 36"  
 106,7 cm = 42"  
 121,9 cm = 48"  
 137,2 cm = 54"  
 152,4 cm = 60"

**FIG. 1 – Dégagement des armoires**





# Chapitre 2 : Préparation de l'emplacement



Conversions de mesures

9,5 mm = 3/8"

9,8 cm = 3-7/8"

30,4 cm = 12"

32,7 cm = 12-7/8"

55,9 cm = 22"

64,7 cm = 25-1/2"

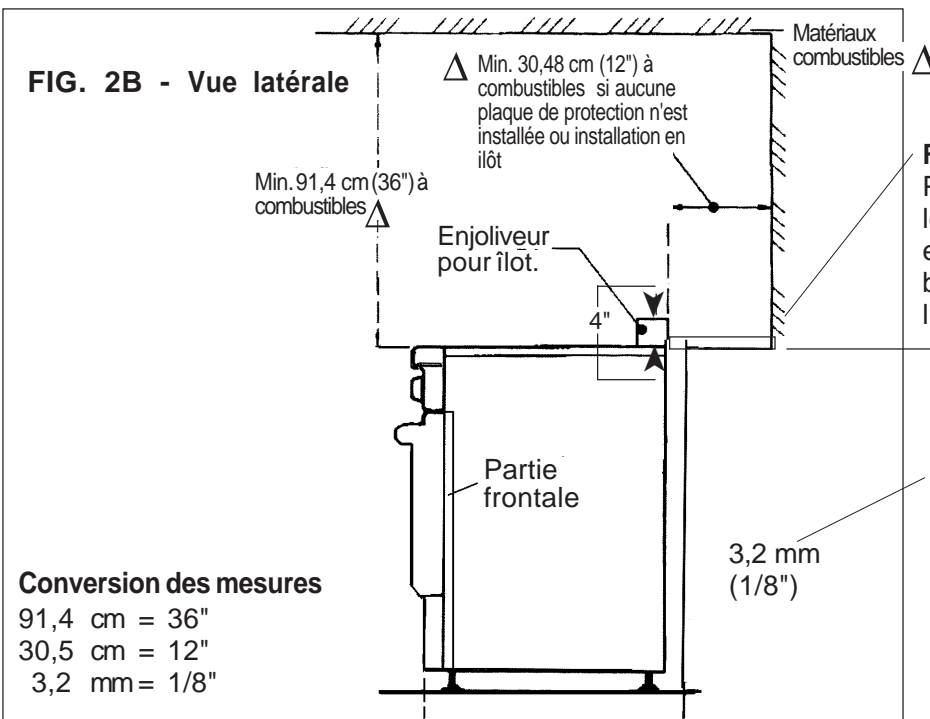
66,9 cm = 26-3/8"

72,1 cm = 28-3/8"

74,9 cm = 29-1/2"

82,9 cm = 32-5/8"

120,3 cm = 47-3/8"



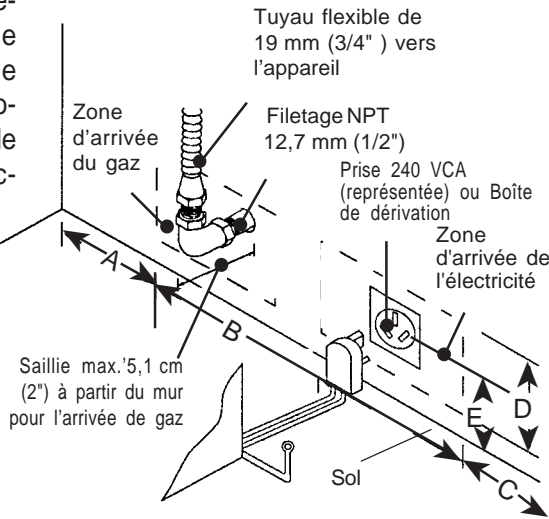
# Chapitre 2 : Préparation de l'emplacement

## ARRIVÉE DU GAZ ET DE L'ÉLECTRICITÉ

**Figure 3A : Arrivée du gaz et de l'électricité de toutes les cuisinières mixtes**

Le placement typique montré. L'autre placement de provision de gaz et la prise électrique dans la provision électrique et de zone de gaz est acceptable.

**REMARQUE :** On doit pouvoir accéder facilement par l'une des armoires adjacentes au robinet manuel d'arrêt de gaz (non représenté sur la fig.) sans avoir à déplacer la cuisinière.



Modèle	A	B	C	D	E
PD30	20,3cm	30,5cm	25,4cm	16,5cm	13,3cm
PD36	26,4cm	38,1cm	26,4cm	16,5cm	13,3cm
PD48	41,9cm	40,6cm	39,4cm	16,5cm	13,3cm

**REMARQUE :** Toute ouverture dans le mur se trouvant derrière l'appareil ou dans le plancher sous l'appareil doit être bouchée.

Toutes les cuisinières mixtes peuvent être raccordées au secteur à l'aide du cordon d'alimentation fourni avec la cuisinière ou bien directement câblées. L'installateur doit fournir les éléments de câblage qui conviennent (cordon ou conduite et câbles) et réaliser le raccordement au gaz conformément à la réglementation locale et/ou au Code national d'électricité. Les appareils doivent être mis à la terre. Voir le Chapitre 6 pour plus de détails.

**La cuisinière ne doit être raccordée qu'au type de gaz pour lequel elle est certifiée.** Si elle est raccordée au gaz propane, le réservoir de propane doit être doté de son propre détendeur en plus du détendeur fourni avec la cuisinière (voir Chapitre 5).

### Conversions de mesures

- 20,3 cm = 8"
- 30,5 cm = 12"
- 25,4 cm = 10"
- 16,5 cm = 6-1/2"
- 26,4 cm = 10-1/2"
- 38,1 cm = 15"
- 39,4 cm = 15-1/2"
- 40,6 cm = 16"
- 41,9 cm = 16-1/2"

# Chapitre 2 : Préparation de l'emplacement

## ALIMENTATION ÉLECTRIQUE, CUISINIÈRES MIXTES

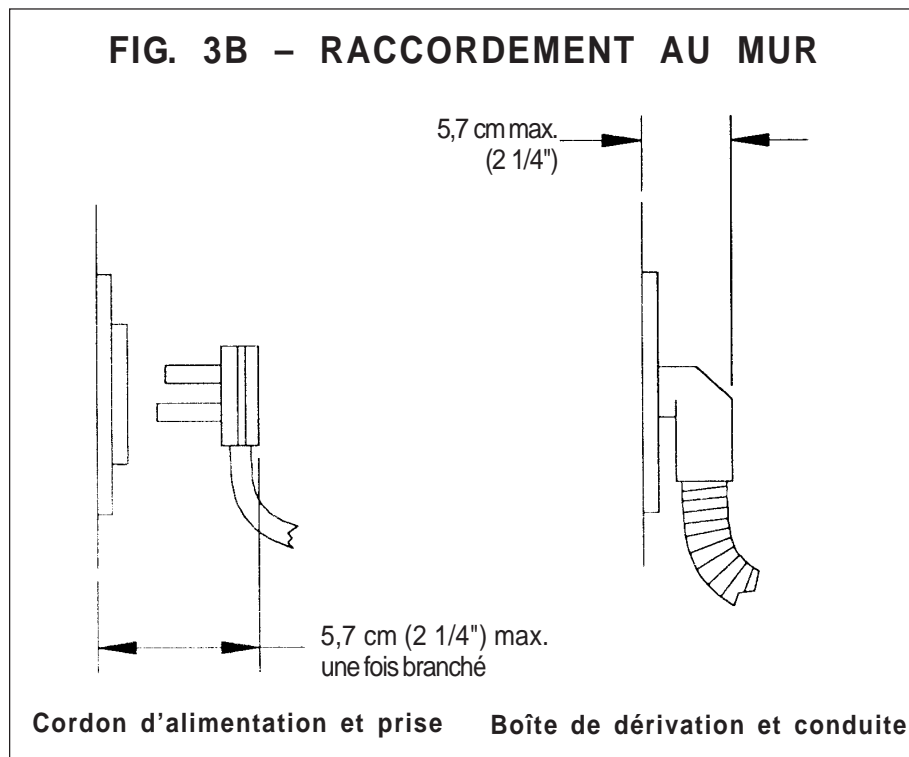
L'installation des cuisinières mixtes doit être planifiée de sorte que la boîte de dérivation pour la prise ou la connexion de la conduite laisse le maximum d'espace à l'arrière de l'appareil.

Quand le cordon d'alimentation électrique (non fourni) ou la conduite sont connectés à la prise ou à la boîte de dérivation,

l'ensemble prise/prise murale ou couvre de boîte de connexion/connecteur de conduite ne doit pas former une saillie de plus de 5,7 cm (2-1/4") à l'arrière. Reportez-vous à la Figure 3B.

Ce point est particulièrement important si la boîte de dérivation murale se trouve juste derrière la boîte de dérivation de l'appareil une

fois celui-ci installé. Reportez-vous à la Figure 9 de la page 40 pour l'emplacement de la boîte de dérivation sur l'appareil. Afin de minimiser les torsions lors du branchement de l'appareil à la prise ou à la boîte, orientez en premier lieu la prise ou le connecteur de la conduite et faites glisser sur la position.



## Chapitre 3 : Déballage, manutention et mise en place de la cuisinière

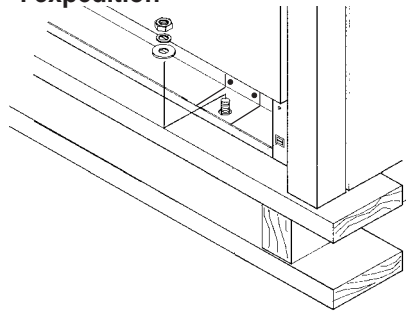
### MISE EN GARDE

Un équipement adapté manipulé par du personnel expérimenté doit être utilisé pour déplacer la cuisinière afin de ne pas endommager l'appareil ni le plancher. La cuisinière est lourde et repose sur des pieds réglables en acier.

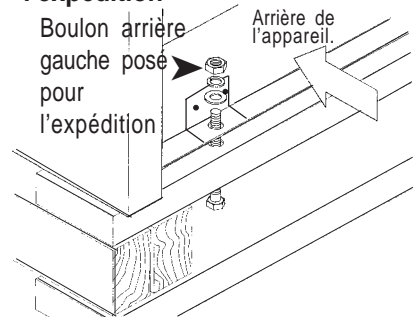
Tableau A	Cuisinière de 76,2 cm (30")	Cuisinière de 91,4 cm (36")	Cuisinière de 121,9 cm (48")
Poids à l'expédition	152 kg (335 lb)	201,4 kg (444 lb)	264,9 kg (584 lb)
Poids sans matériaux d'emballage	129,3 kg (285 lb)	176,9 kg (390 lb)	237,6 kg (524 lb)
Poids hors porte(s), chapeaux de brûleurs, plaque d'habillage et grilles de four	97,5 kg (215 lb)	133,8 kg (295 lb)	179,2 kg (395 lb)

- Le poids approximatif de la cuisinière à l'expédition est celui qui est indiqué au Tableau A. Il est recommandé d'ôter les grilles des brûleurs, la plaque de cuisson, les chapeaux des brûleurs, la plaque d'habillage et les grilles du four pour faciliter la manutention. Le poids de l'appareil s'en trouvera diminué, comme indiqué au Tableau A, et permettra à la cuisinière de passer par une porte de 76,2 cm (30"). Voir Figures 2A et 2B à la Page 31. **N'ôtez pas le gril ni la plaque de cuisson.**
- Retirez l'emballage externe et les matériaux d'emballage de la palette d'expédition. Toutes les cuisinières mixtes sont fixées sur une palette à l'aide de quatre (4) boulons (voir Fig. 4 et 5). Après avoir enlevé les boulons, soulevez la cuisinière et enlevez-la de la palette.
- Retirez les équerres de la cuisinière. Pour ce faire, l'installateur doit retirer les deux vis qui fixent chacune de ces équerres, enlevez l'équerre et remettez les vis.

**Figure 4 – Retrait des deux boulons avant posés pour l'expédition**



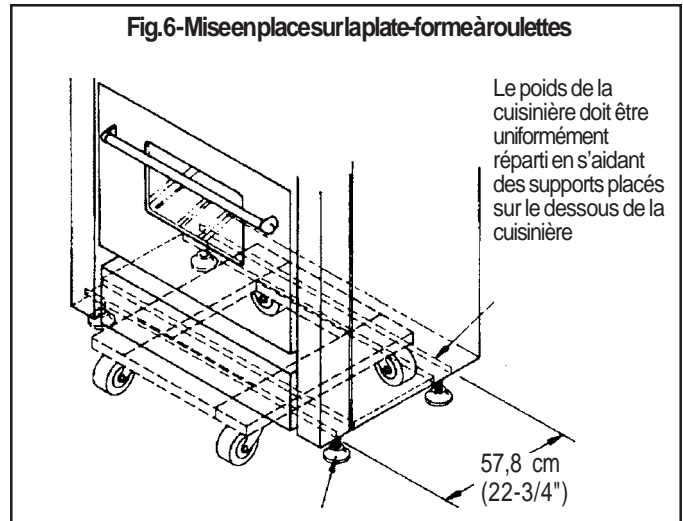
**Figure 5 – Retrait des deux boulons arrière posés pour l'expédition**



## Chapitre 3 : Déballage, manutention et mise en place de la cuisinière

- En raison du poids de la cuisinière, il convient d'utiliser une plate-forme à roulettes souples pour la déplacer. Le poids doit être uniformément réparti sur la plate-forme (voir Figure 6).
- Transportez la cuisinière sur la plate-forme près de son emplacement définitif, basculez-la pour qu'elle soit portée par les pieds arrière et retirez la plate-forme. **PROTÉGEZ LE SOL SE TROUVANT SOUS LES PIEDS (MORCEAUX DE BOIS, TAPIS, ETC.) AVANT DE METTRE LA CUISINIÈRE EN PLACE.** Installez le dispositif antibascule (Chapitre 4), raccordez le gaz et l'électricité (Chapitres 5 et 6) et installez la plaque de protection (Chapitre 7) avant de placer définitivement la cuisinière.
- Pour garantir son bon fonctionnement, la **cuisinière professionnelle doit être nivelée.** (Ce point est important pour tous les produits équipés d'une plaque chauffante.) La cuisinière se nivelle en réglant les pieds avec une clé.
- Remettez la plaque d'habillage en place et installez la porte du four. **Pour installer la porte, voir la page 43. Les deux (2) vis qui maintiennent la plaque d'habillage doivent être solidement fixées pour éviter un contact accidentel avec les surfaces chaudes.**

Assurez-vous que les chapeaux des brûleurs sont correctement assis sur les bases des brûleurs de la table de cuisson de la cuisinière.



## Chapitre 4 : Installation du dispositif antibascule

Pour toutes les cuisinières de 76,2 cm (30") et de 91,4 cm (36"), un dispositif antibascule doit être installé conformément aux instructions suivantes.

### **AVERTISSEMENT DANGER DE RENVERSEMENT**

- Toutes les cuisinières peuvent se renverser et blesser quelqu'un. Pour éviter un renversement accidentel, elles doivent être fixées au sol, au mur ou à une armoire au moyen de l'installation du dispositif antibascule qui vous est fourni.
- Il peut exister un risque de renversement si l'appareil n'est pas installé conformément à ces instructions.
- En cas de déplacement de la cuisinière pour nettoyage, réparation ou autre, assurez-vous que le dispositif antibascule s'est bien réenclenché quand la cuisinière a été repoussée contre le mur. Si cette précaution n'est pas prise, dans l'hypothèse d'une utilisation anormale (personne montant, s'asseyant ou s'étendant sur une porte ouverte), la cuisinière risque de basculer, provoquant des blessures dues aux liquides chauds renversés ou à la cuisinière elle-même.



### **AVERTISSEMENT**

- TOUTES LES CUISINIÈRES PEUVENT BASCULER
- DES PERSONNES PEUVENT ÊTRE BLESSÉES
- INSTALLEZ LES DISPOSITIFS ANTIBASCULE FOURNIS AVEC LA CUISINIÈRE
- CONSULTEZ LES INSTRUCTIONS D'INSTALLATION

### **AVERTISSEMENT RISQUE D'ÉLECTROCUTION**

- Soyez très prudent lorsque vous percez des trous dans le mur ou dans le plancher. Des fils électriques peuvent être dissimulés dans les murs ou dans le plancher.
- Identifiez les circuits électriques pouvant se trouver à l'endroit où le dispositif antibascule est installé et déconnectez-les.
- Le non-respect de ces instructions risque de provoquer une électrocution ou des blessures.

### **MISE EN GARDE**

#### **RISQUE DE DOMMAGES**

- Contactez un installateur ou un entrepreneur qualifié pour déterminer la méthode de perçage correcte des murs ou du plancher (carrelage, bois dur, etc.).
- Ne faites pas glisser la cuisinière sur un plancher non protégé.
- Le non-respect de ces instructions comporte un risque de dommages pour les revêtements muraux ou du sol.

### **Outils nécessaires pour l'installation du dispositif antibascule :**

- Tournevis Phillips
- Perceuse, électrique ou à main
- Ruban à mesurer ou règle
- Foret de 3,2 mm (1/8") (mur ou sol en bois ou métal)
- Foret à béton pointe carbure de 19 mm (3/4") (mur ou sol en béton ou blocs de béton)
- Ancrages de 4,8 mm (3/16"), cloison en préfabriqué ou béton, 2 (inutile si le support de montage est fixé sur du bois dur ou du métal)
- Marteau
- Crayon ou autre marqueur

# Chapitre 4 : Installation du dispositif antibascule

## Cuisinières à gaz PD30 et PD36 (Figures 8A et 8B)

Référence pièce détachée Thermador	Quantité	Description
415078	4	Vis Phillips n° 10 x 1-1/2"
487310	1	La patte antibascule, montage au sol

### INFORMATIONS IM^PORTANTES À PROPOS DE L'INSTALLATION :

- La patte antibascule peut être fixée à une armoire en bois massif ayant une paroi d'une épaisseur minimum de 19 mm (3/4").
  - Selon l'épaisseur du mur ou du plancher, il peut être nécessaire d'utiliser des vis plus longues, disponibles chez votre quincaillier.
  - Au moins deux (2) vis de montage de la patte doivent être fixées sur le bois massif ou le métal.
  - Utilisez des ancrages appropriés pour monter la patte antibascule sur un matériau autre que le bois dur ou le métal.
  - Préparez les trous des emplacements de fixation comme indiqué ci-dessous :
- **Pour les murs, montants de mur ou sols en bois massif ou en métal**, percez des trous de guidage de 3,2 mm (1/8").
  - **Pour les murs ou les sols de type préfabriqué, carton-plâtre ou autres matériaux mous**, percez des trous de 4,8 mm (3/16") à une profondeur minimum de 44,5 mm (1-3/4"), puis enfoncez les ancrages en plastique dans tous les trous à l'aide d'un marteau.
  - **Pour les murs ou les sols en béton ou en blocs en béton**, percez des trous de 4,8 mm (3/16") à une profondeur minimum de 4,45 cm (1-3/4"), puis enfoncez les ancrages à béton dans les trous à l'aide d'un marteau.
  - **Pour les murs ou les sols revêtus de carrelage**, percez des trous de 4,8 mm (3/16") de la profondeur du carrelage puis percez derrière le carrelage comme indiqué ci-dessus.
- Si la cuisinière doit être ultérieurement placée à un nouvel endroit, le dispositif antibascule sera enlevé et réinstallé.

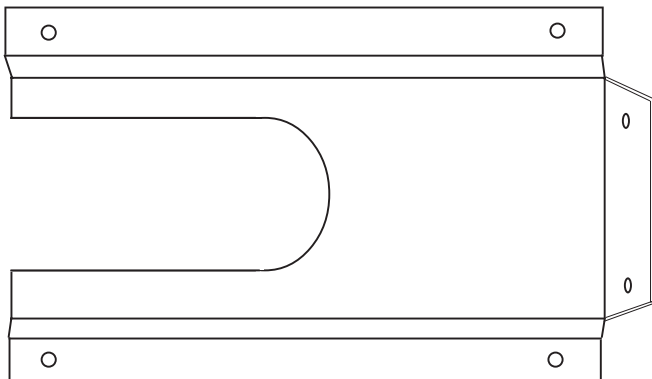
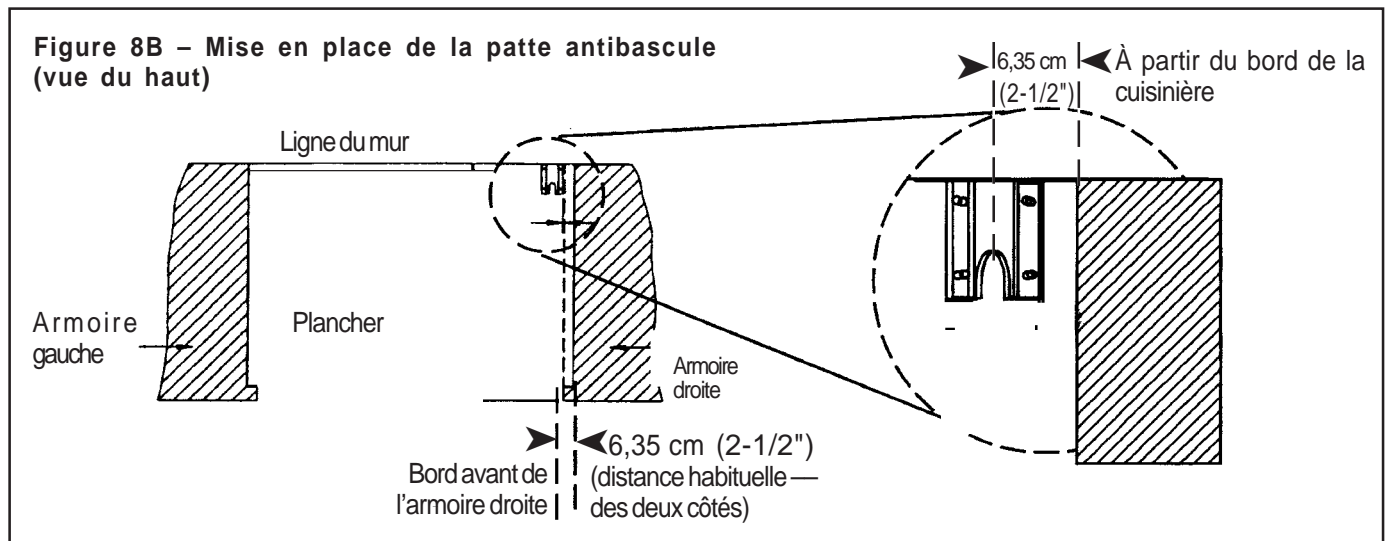


Figure 8A – Montage de la patte antibascule

### MONTAGE DE LA PATTE ANTIBASCULE

L'option patte montée au sol doit être installée comme suit :

- Placez la patte sur l'emplacement comme indiqué à la Figure 8B.
- Fixez au plancher ou au montant de mur.
- Une fois la cuisinière installée, le pied réglable se glissera sous la patte.





# Chapitre 5 : Exigences pour l'alimentation du gaz et raccordement

Vérifiez le type de gaz utilisé à l'endroit où la cuisinière est installée. Celles-ci sont préparées à l'usine avant expédition pour être alimentées par du gaz naturel ou du gaz propane. La cuisinière doit correspondre au type de gaz utilisé sur le site.

En cas d'installation de l'appareil à haute altitude, veuillez consulter la compagnie locale de gaz pour connaître les dimensions correctes des orifices et autres réglages nécessaires permettant une bonne combustion du gaz à l'altitude indiquée.

## MISE EN GARDE

Si l'appareil est alimenté par du gaz propane, le réservoir de gaz propane doit être équipé de son propre détendeur en sus du détendeur fourni avec la cuisinière. La pression du gaz à l'entrée du détendeur de la cuisinière ne doit pas dépasser 34,9 mb (14 pouces à la colonne d'eau).

### Exigences pour le gaz naturel:

#### Raccord d'entrée :

19,1 mm (3/4") N.P.T. externe  
12,7 mm (1/2") N.P.T. interne  
(Minimum 19,1 mm (3/4") tuyau flexible diamètre minimum)

#### Pression d'alimentation :

14,9 à 34,9 mb (6" à 14")  
à la colonne d'eau

#### Pression du collecteur :

12,5 mb (5") à la colonne d'eau

### Exigences pour le gaz propane :

#### Raccord d'entrée :

19,1 mm (3/4") N.P.T. externe  
12,7 mm (1/2") N.P.T. interne  
(diamètre minimum de 19,1 mm (3/4") pour tuyau flexible)

#### Pression d'alimentation :

27,4 mb à 34,9 mb (11" à 14")  
à la colonne d'eau).

#### Pression du collecteur :

24,9 mb (10") à la colonne d'eau).

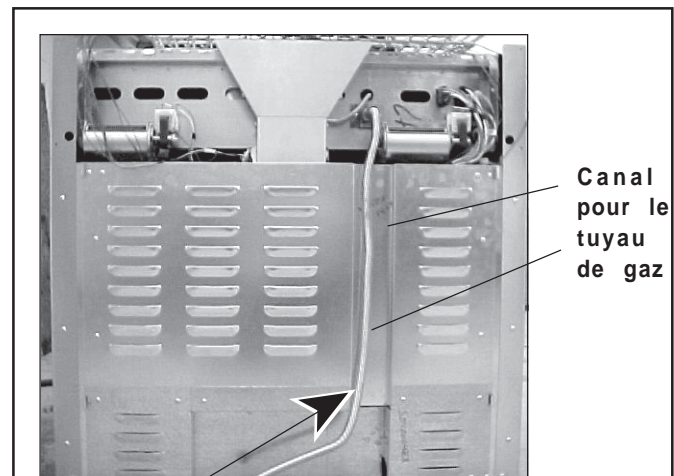
## AVERTISSEMENT

Le tuyau de gaz ne doit pas passer à l'intérieur du couvercle arrière de la cuisinière. Acheminez le tuyau de gaz par le canal prévu à cet effet à l'arrière de l'appareil.

## RACCORDEMENT

- Un robinet manuel d'arrêt de gaz doit être installé à l'extérieur de l'appareil, à un endroit accessible par le devant, dans le but de pouvoir couper l'alimentation en gaz. Le tuyau d'arrivée de gaz ne doit pas gêner à l'arrière de l'appareil. Assurez-vous que le robinet d'arrêt est fermé avant de raccorder l'appareil.
- La cuisinière est fournie avec un détendeur non amovible qui a été monté à l'intérieur de manière permanente.
- Utilisez le tuyau flexible de 19,1 mm (3/4") pour raccorder l'arrivée de gaz au tuyau du collecteur de l'appareil ; ce dernier sort du côté supérieur gauche à l'arrière de l'appareil. Le raccord du tube du collecteur est un filetage NPT 19,1 mm (3/4") (voir photo A). Prenez garde à éviter les pincements du tuyau flexible de 19,1 mm (3/4") dans les coudes.
- Le branchement à l'arrivée de gaz doit être effectué par un technicien compétent conformément à la réglementation locale. À défaut de réglementation municipale, l'installation doit être conforme à la norme américaine ANSI Z223.1/NFPA54 en vigueur régissant le gaz combustible.
- Utilisez toujours de la pâte à joint ou du ruban Teflon® sur les filets du tuyau et prenez garde à ne pas serrer excessivement les raccords.
- Les tests de fuite de l'appareil seront toujours réalisés conformément aux instructions du fabricant.
- Ouvrez le gaz et assurez-vous qu'il n'y a pas de fuites à l'aide d'une solution savonneuse. N'utilisez pas de flamme pour faire cette vérification.

### Photo A



Utilisez un tuyau flexible 19,1 mm (3/4") pour raccorder le tuyau du collecteur se trouvant dans la partie supérieure gauche de l'arrière de l'appareil, à l'arrivée de gaz.



## Chapitre 6 : Exigences pour l'alimentation électrique, branchement et mise à terre

- Avant d'intervenir sur l'appareil, débranchez toujours, s'il en est pourvu, le cordon d'alimentation électrique de la prise murale. Si le câblage de l'appareil est fixe, coupez l'alimentation électrique au niveau du disjoncteur du circuit ou déconnectez le fusible correspondant.

Les modèles de cuisinières mixtes PD 304, PD36 et PD48 peuvent être connectés à l'alimentation électrique au moyen d'une installation fixe ou du cordon d'alimentation, comme décrit à la Page 40.

**Tableau B : Exigences des circuits d'alimentation électrique**

NUMÉRO DU MODÈLE	TENSION	INTENSITÉ DU CIRCUIT	FRÉQUENCE	PHASE
PD304	120 VCA	35 A (Amps)	60 Hz	Monophasé
PD36	120 VCA	35 A (Amps)	60 Hz	Monophasé
PD48	120 VCA	50 A (Amps)	60 Hz	Monophasé

- Pour tous les modèles PD de cuisinières mixtes, un fil d'alimentation neutre doit être installé à partir de la source d'électricité (disjoncteur/panneau de fusibles) car certains composants de la cuisinière, dont le module de production d'étincelle pour les brûleurs de la table de cuisson, fonctionnent de manière sûre et adéquate sur le 120 VCA. Une mauvaise alimentation électrique de 120/240 VCA entraînera des dysfonctionnements, endommagera la cuisinière et peut provoquer un risque d'électrocution. Si le circuit électrique ne répond pas aux exigences requises, l'installateur ou l'utilisateur est responsable et tenu de faire une installation correcte et conforme à la réglementation locale applicable par un électricien qualifié. À défaut de réglementation à ce sujet, le branchement

électrique doit être conforme au Code national régissant l'électricité.

- La mise à la terre doit être conforme à l'ensemble de la réglementation applicable. À défaut de réglementation spécifique à ce sujet, la norme américaine ANSI/NFPA N° 70 en vigueur régissant l'électricité sera appliquée. Reportez-vous à la méthode de mise à la terre aux pages 40 et 41.
- Les schémas de câblage électrique à l'intention du technicien qualifié ont été placés dans la plaque d'habillage de l'appareil.
- Les cuisinières mixtes PD peuvent être branchées sur une alimentation électrique de 120/208 VCA.

**Tableau D : Câble d'alimentation électrique - Conditions de tension et dimensions**

Numéro du modèle	Tension nominale min.	Température nominale	Dimensions du conducteur <small>(AWG- Calibre américain des fils)</small>		
			L1, L2	NEUTRE	TERRE
PD304	300 VCA	Type T ou équivalent	10	12	10
PD36	300 VCA	Type T ou équivalent	10	12	10
PD48	300 VCA	Type T ou équivalent	8	10	8

### MISE EN GARDE

L'appareil doit être isolé du système d'arrivée de gaz en fermant le robinet manuel d'arrêt pendant tous les tests de pression d'alimentation en gaz lorsque ces pressions sont égales ou inférieures à 3,5 kPa (1/2 psig).

L'appareil et son robinet individuel d'arrêt doivent être débranchés du système d'arrivée de gaz pendant tous les tests de pression du système si ces pressions dépassent 3,5 kPa (1/2 psig).

Pour la vérification de la pression de gaz du collecteur, la pression d'entrée du détendeur doit être de 14,9 mb (6,0") au minimum pour le gaz naturel et de 27,4 mb (11,0") pour le propane.

Ne tentez pas de régler le détendeur.

## Chapitre 6 : Exigences pour l'alimentation électrique, le branchement et la mise à la terre

Les cuisinières mixtes doivent être branchées à l'alimentation électrique selon l'une des méthodes suivantes. Pour toutes les méthodes de branchement, la longueur du cordon ou de la conduite/câblage doit permettre de glisser complètement l'appareil hors de son emplacement sans avoir à le débrancher de la source d'alimentation. La longueur minimum recommandée de cordon ou de conduite est de 1,22 m (quatre pieds). Les installations électriques et la mise à la terre doivent être conformes à l'ensemble des réglementations locales et/ou au Code national de l'électricité, selon ce qui est applicable.

- **CORDON À 4 CONDUCTEURS – NORMALEMENT, L'APPAREIL DOIT ÊTRE BRANCHÉ À L'ALIMENTATION ÉLECTRIQUE AU MOYEN DU NÉCESSAIRE-CORDON À 4 CONDUCTEURS, 3 PÔLES D'UNE TENSION NOMINALE DE 125/250 VOLTS, 50 AMPÈRES, HOMOLOGUÉ POUR UNE UTILISATION AVEC LES CUISINIÈRES.** La trousse de câbles doit être fixé sur la boîte de dérivation de la cuisinière à l'aide d'un protecteur de cordon adapté à un trou de 2,54 cm (1"). S'il n'en est pas déjà équipé, le cordon doit avoir des cosses en boucle fermée Faston de 0,63 cm (1/4") fixées aux extrémités libres de chaque conducteur et de préférence soudées.

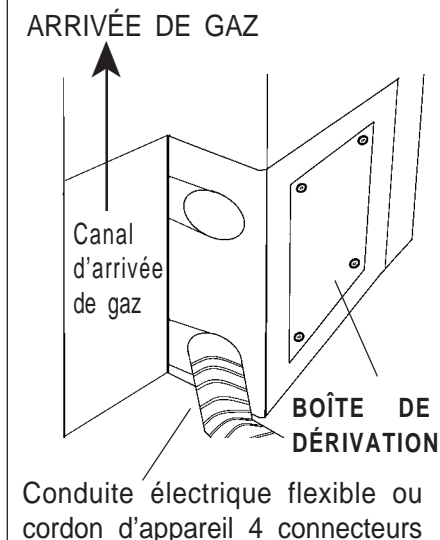
amenés dans la boîte de dérivation par la conduite. Reportez-vous au tableau D de la page 39 pour connaître les caractéristiques des conducteurs. Les extrémités des câbles doivent être pourvues de cosses en boucle fermée Faston de 0,63 cm (1/4") et de préférence soudées. Connectez-les à la plaque à bornes qui est fournie. Fixez le fil de terre sur la boîte de dérivation à l'aide de la vis utilisée auparavant pour fixer le conducteur de terre. L'extrémité libre de la conduite doit être raccordée à la boîte de dérivation qui se trouve dans la zone d'arrivée de gaz et d'électricité, tel qu'indiqué sur la Figure 3A de la page 32.

- **CONNEXION PERMANENTE (CÂBLAGE FIXE).** Les cuisinières peuvent être connectées à l'alimentation électrique par un câblage fixe. L'installateur doit fournir une conduite flexible en aluminium homologuée, de taille standard 19 cm (3/4") et d'une longueur maximum de 1,82 m (6'). Repérez la boîte de dérivation à l'arrière de l'appareil et retirez le couvercle. Reportez-vous à la Figure 9. Retirez la vis de fixation du conducteur de terre et repliez-le vers le haut. Reportez-vous à la Figure 10. La conduite doit être reliée à la boîte de dérivation par un connecteur de conduite homologué.

Les câbles de l'appareil seront

- **CORDON À 3 CONDUCTEURS – SI LES RÉGLEMENTATIONS LOCALES PERMETTENT LA MISE À LA TERRE PAR UN FIL NEUTRE ET QUE LA CONVERSION DE L'ALIMENTATION À QUATRE FILS EST DIFFICILE, L'APPAREIL PEUT ÊTRE CONNECTÉ À L'ALIMENTATION ÉLECTRIQUE PAR UNE TROSSE DE CÂBLE À 3 CONDUCTEURS, 3 PÔLES, D'UNE TENSION NOMINALE DE 125/250 VOLTS, 50 AMPÈRES ET HOMOLOGUÉ POUR ÊTRE UTILISÉ AVEC LES CUISINIÈRES.** La trousse de câbles doit être fixé sur la boîte de dérivation de la cuisinière à l'aide d'un protecteur de cordon adapté à un trou de 2,54 cm (1"). S'il n'en est pas déjà équipé, le cordon doit avoir des cosses en boucle

FIG. 9 – Emplacement de la boîte de dérivation sur les cuisinières mixtes.



fermée Faston de 0,63 cm (1/4") fixées aux extrémités libres de chaque conducteur et de préférence soudées.

## Chapitre 6 : Conditions d'alimentation, branchement et mise à la terre

Il est possible de connecter une alimentation à 3 ou à 4 conducteurs sur la plaque à bornes.

### Connexion à 3 fils

1. Retirez seulement les écrous supérieurs des plots de la plaque à bornes. **N'enlevez pas les écrous qui fixent les fils des câbles internes de la cuisinière.**
2. Fixez le fil neutre de mise à la terre du circuit d'alimentation au plot central de la plaque à bornes avec un écrou (voir Figure 11).
3. Fixez les fils de tension L1 (noir) et L2 (rouge) sur les plots (couleur cuivre) des extrémités de la plaque à bornes avec des écrous.
4. Serrez bien les écrous.

### Connexion à 4 fils

1. Retirez seulement les écrous supérieurs des plots de la plaque à bornes. **N'enlevez pas les écrous qui fixent les fils des câbles internes de la cuisinière.**
2. Retirez la vis du conducteur de terre et repliez le conducteur vers le haut comme le montre la Figure 12.
3. Fixez le fil neutre sur le plot central de la plaque à bornes avec un écrou.
4. Fixez les fils de tension L1 (noir) et L2 (rouge) sur les plots (couleur cuivre) des extrémités de la plaque à bornes avec des écrous.
5. Fixez le fil de terre en cuivre dénudé sur le châssis de la cuisinière à l'aide de la vis préablement utilisée pour le conducteur de terre. Assurez-vous que la borne neutre et la borne de terre ne se touchent pas.
6. Serrez bien toutes les connexions.

FIG. 10 Fixation des conducteurs

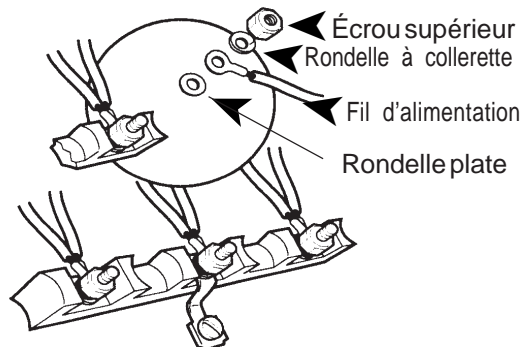


FIG. 11 Connexion à 3 fils

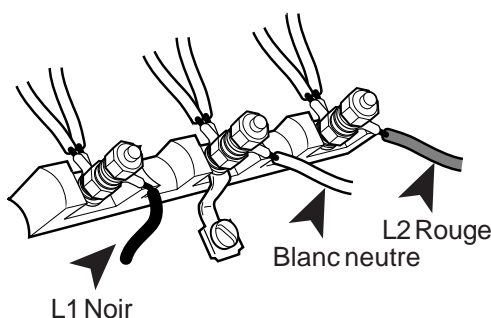


FIG. 12 Conducteur terre

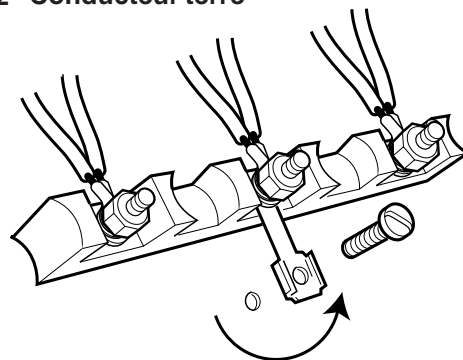
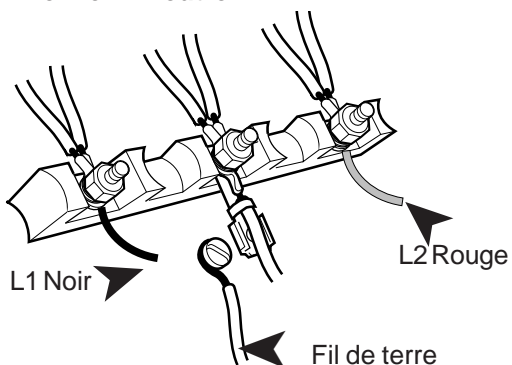


FIG. 13 Fixez le fil neutre

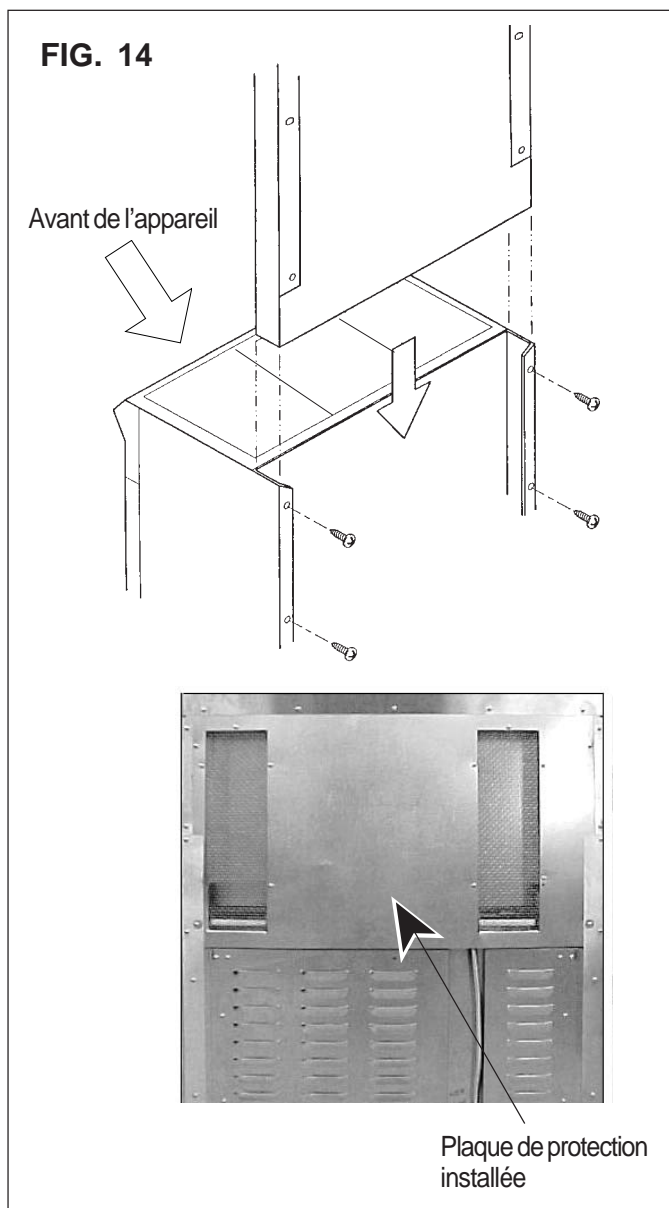


## Chapitre 7 : Installation de la plaque de protection

La plaque de protection doit être mise en place avant de glisser la cuisinière à son emplacement définitif. La plaque, basse ou haute avec étagère, est obligatoire si la distance, au-dessus de la table de cuisson, entre les parois combustibles et l'arrière de la cuisinière est inférieure à 30,5 cm (12") (voir Figures 2A et 2B à la Page 31).

Un enjoliveur pour installation en îlot est disponible : il recouvre les brides de montage de la plaque de protection là où la distance horizontale entre les parois combustibles et l'arrière de la cuisinière est d'au moins 30,5 cm (12") (voir Figure 2B Page 31).

La plaque de protection s'insère dans les glissières à l'arrière de la cuisinière, comme indiqué à la Figure 14, et est fixée par les quatre (4) vis à tête fournies.



**TABLEAU C : RÉFÉRENCES POUR LES PLAQUES DE PROTECTION**

MODÈLE DE CUISINIÈRE	22,9 CM (9")	30,5 CM (12")	55,9 CM (22")	9,5 CM (3 3/4")
	PLAQUE BASSE STANDARD	PLAQUE BASSE	PLAQUE HAUTE À ÉTAGÈRE	ENJOLIVEUR POUR ÎLOT
PD304	Inclus avec la cuisinière	N/D	HS30R	IT30R
PD36	N/D	LB36R	HS36R	IT36R
PD48	N/D	LB48R	HS48R	IT48R

## Chapitre 8 : Installation de la porte

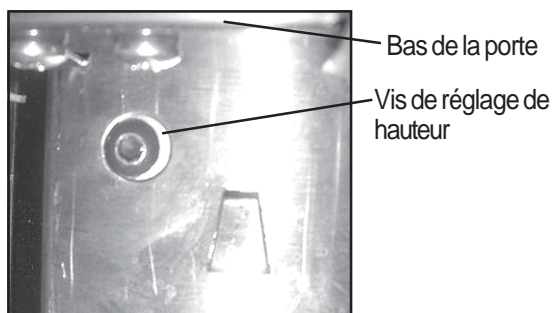
### **⚠ MISE EN GARDE**

La porte est lourde et doit être manipulée par deux personnes.

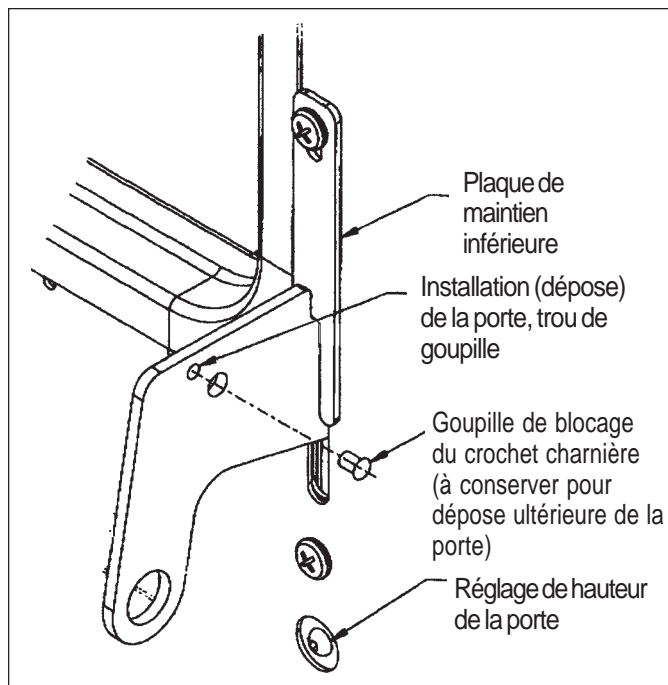
1. Insérez le crochet charnière de la porte dans les passages de charnières du cadre frontal. Quand la porte est correctement installée, le bord inférieur est parallèle à l'avant de la cuisinière, le crochet charnière s'enclenche et supporte le poids de la porte.
2. Placez la porte en parallèle avec le sol pour libérer la goupille de blocage du crochet charnière.
3. Enlevez précautionneusement les goupilles. Il est maintenant possible de fermer la porte. Installez la plaque de maintien inférieure. Ne serrez pas la vis. Conservez les goupilles pour un éventuel retrait de la porte.
4. Réglez la hauteur de la porte de manière à ce que le levier du verrou et la barre d'espacement s'insèrent dans la fente de la garniture de la porte à sa fermeture. Le haut de la porte doit être parallèle à la partie inférieure du panneau de commandes. Serrez la vis du bas de la plaque de maintien inférieure.
5. Les crochets charnières de la porte du four et la plaque de maintien inférieure sont maintenant correctement en place. Vous pouvez ouvrir et fermer la porte.
6. Il convient de monter la plaque d'habillage en dernier pour ne pas endommager la porte.



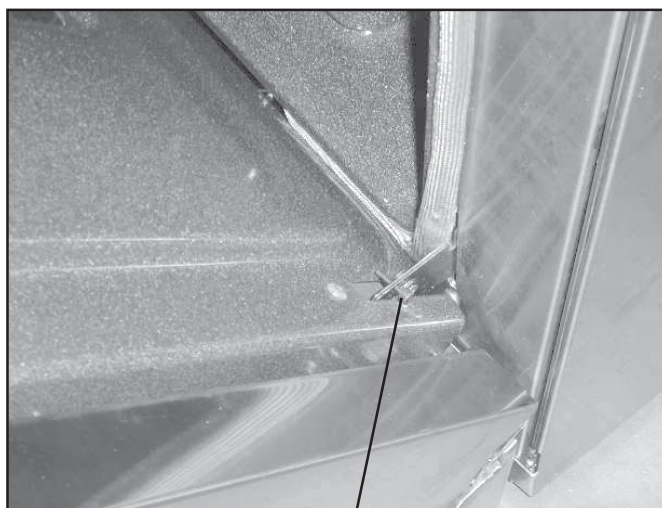
**Photo B.** Insérez le crochet charnière de la porte dans le passage de charnière du cadre frontal.



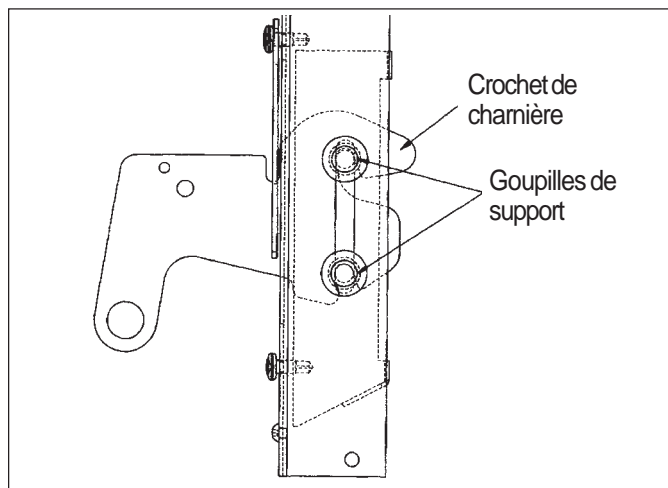
**Photo D**



**Fig. 15**



**Photo C** Goupille de blocage du crochet charnière



**Fig. 16**



# Chapitre 9 : Tests et réglages

Installez toutes les pièces détachées, telles que les chapeaux et les grilles des brûleurs, susceptibles d'avoir été enlevées. Assurez-vous que les chapeaux de brûleurs reposent bien sur leurs rainures d'alignement placées dans les bases des brûleurs. Avant de tester le fonctionnement de l'appareil, assurez-vous que l'alimentation en gaz et l'appareil lui-même ne présentent pas de fuites et que l'alimentation électrique est branchée. Ouvrez le robinet manuel d'arrêt de gaz. Vérifiez le fonctionnement des brûleurs hermétiquement encastrés et du gril en enfonçant et en tournant chacun des boutons dans le sens contraire des aiguilles d'une montre à la position HI. Les allumeurs des brûleurs émettent des déclics jusqu'à allumage de la flamme. Les deux brûleurs les plus à gauche ont une fonctionnalité XLO® grâce à laquelle la flamme s'allume et s'éteint lorsque le bouton est sur la position XLO. Il s'agit d'un fonctionnement normal.

## **⚠ MISE EN GARDE**

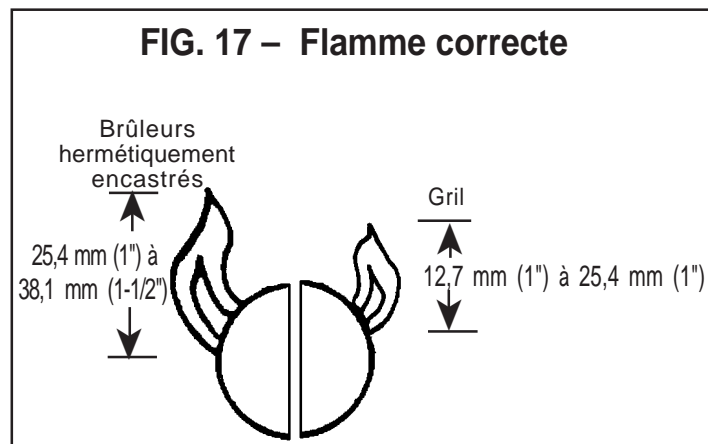
Les réglages des brûleurs doivent être réalisés par un technicien qualifié au moment de l'installation. Renforcez les précautions pour effectuer les réglages après l'installation. Des réglages incorrects ou non effectués peuvent causer des dommages collatéraux ou annuler votre garantie.

Les flammes des brûleurs doivent être tout à fait bleues (pas de jaune à l'extrémité) et stables, ne pas produire un bruit excessif ni se détacher du brûleur. Si l'une de ces conditions apparaît, assurez-vous que

l'obturateur d'air (gril seulement) ou les orifices des brûleurs ne sont pas bouchés ou obstrués. Éliminez toute obstruction. Si la flamme est trop jaune (ce qui indique une insuffisance d'air), réglez l'obturateur dans le sens contraire des aiguilles d'une montre afin d'augmenter l'entrée d'air (gril seulement).

La hauteur des flammes des brûleurs doit être d'environ 25,4 mm (1") à 38,1 mm (1-1/2"). Les flammes de la plaque chauffante et du gril doivent présenter l'aspect indiqué à la Figure 17.

REMARQUE : Il n'est ni possible ni nécessaire de régler l'obturateur d'air ou la flamme basse des brûleurs hermétiquement encastrés de la table de cuisson.



## Nettoyage et protection des surfaces extérieures

Les surfaces en acier inoxydable se nettoient en passant un chiffon mouillé à l'eau savonneuse. Rincez à l'eau claire et séchez avec un chiffon sec pour éviter les traces d'eau. Retirez les traces de doigts et les traînées avec un produit à vitres doux.

En cas de décoloration ou de tache persistante, consultez le Manuel d'utilisation et d'entretien.

Pour faire briller et protéger l'acier inoxydable, utilisez un produit nettoyant/à polir comme le Stainless Steel Magic®.

NE laissez PAS les taches s'incruster.

N'utilisez PAS de tampons ni de brosses métalliques. De petits morceaux de métal risquent d'adhérer à la surface et de la faire rouiller.

NE laissez PAS les solutions salines, les désinfectants, l'eau de Javel ou les produits de nettoyage en contact avec l'acier inoxydable. Ces produits contiennent en général des produits chimiques susceptibles de l'endommager. Rincez-les à l'eau et séchez avec un chiffon sec.

# Liste de vérification pour l'installateur

## LISTE FINALE DE VÉRIFICATION

- L'appareil a été mis en place.
- Les distances spécifiées entre l'appareil et les armoires adjacentes ont été respectées.
- L'appareil a été nivelé d'avant à arrière, et d'un côté à l'autre.
- Les chapeaux de brûleurs ont été correctement placés sur les bases.
- Tous les matériaux d'emballage ont été retirés.
- L'enjoliveur pour îlot ou plaque de protection a été posé (si la distance horizontale avec matériaux combustibles au-dessus de la table de cuisson est inférieure à 30,5 cm [12"]).
- La porte et des plaques de maintien inférieures ont été installés.
- La plaque d'habillage a été posée et fixée par deux (2) vis.

## ALIMENTATION EN GAZ

- Raccord : filetage NPT de 19,1 mm (3/4") avec tuyau flexible diamètre minimum de 19,1 mm (3/4")
- L'appareil est bien raccordé au type de gaz pour lequel il est certifié.
- Le robinet manuel d'arrêt de gaz installé à un endroit accessible (sans avoir à bouger la

cuisinière).

- L'appareil a été testé et est dépourvu de fuites de gaz.
- La pression d'alimentation de gaz est inférieure à 34,9 mb (14").

## ÉLECTRICITÉ

- La prise de courant à laquelle le cordon d'alimentation est branché est bien protégée contre les surtensions.
- La mise à la terre a bien été installée.
- La prise électrique possède une bonne polarité.

## FONCTIONNEMENT

- Tous les matériaux d'emballage ont été enlevés à l'intérieur. Vérifiez sous les grilles, lèchefrites et dans le(s) four(s).
- Si le gaz propane est utilisé, assurez-vous que l'alimentation en propane est pourvue de son propre détendeur en plus du détendeur fourni avec l'appareil.
- Les chapeaux des brûleurs reposent bien sur leurs bases.
- Les composantes du gril sont bien en place (sur certains modèles). Voir le Manuel d'utilisation et d'entretien pour plus de détails sur le gril.
- Les cadrans des boutons sont bien centrés et les boutons

tournent librement.

- Chaque brûleur s'allume correctement, seul ou avec d'autres brûleurs allumés.
- Le réglage de l'obturateur d'air afin d'obtenir la flamme spécifiée pour le gril ou la plaque de cuisson a été effectué. Voir Chapitre 9 et Figure 17.
- La plaque de cuisson est nivelée ou légèrement inclinée vers l'avant et ne bouge pas (sur certains modèles).
- Les crochets charnières de porte(s) du(des) four(s) sont bien en place et se verrouillent correctement. La porte s'ouvre et se ferme correctement.
- Les grilles des brûleurs sont bien placées, nivelées et ne bougent pas.



Specifications are for planning purposes only. Refer to installation instructions and consult your countertop supplier prior to making counter opening. Consult with a heating and ventilating engineer for your specific ventilation requirements. For the most detailed information, refer to installation instructions accompanying product or write Thermador indicating model number.

We reserve the right to change specifications or design without notice. Some models are certified for use in Canada. Thermador is not responsible for products which are transported from the U.S. for use in Canada. Check with your local Canadian distributor or dealer.

For the most up-to-date critical installation dimensions by fax, use your fax handset and phone: (775) 833-3600. Use code #8030.

---

Les spécifications ne sont fournies qu'à titre prévisionnel. Consultez les instructions d'installation et le fournisseur de votre plan de travail avant de le modifier. Consultez un entrepreneur en chauffage et en climatisation pour vos conditions spécifiques de ventilation. Pour une information plus détaillée, reportez-vous aux instructions d'installation jointes au produit ou bien écrivez à Thermador en indiquant le numéro du modèle.

Nous nous réservons le droit de modifier les caractéristiques ou le design sans préavis. Certains modèles sont approuvés pour le Canada. Thermador n'est pas responsable des produits transportés des États-Unis pour être utilisés au Canada. Veuillez vous renseigner auprès de votre distributeur ou détaillant canadien.

Pour obtenir les dimensions d'installation très précises par télécopieur, veuillez nous contacter par télécopieur et par téléphone au (775) 833-3600. Utilisez le code n° 8030.



# ***Thermador***®

BSH Home Appliances Corp.

5551 McFadden Avenue, Huntington Beach, CA USA • 1 (800) 735-4328  
ECO 5U00BG • 9000051329 Rev. A • © 2004 BSH Home Appliances Corp. • Litho USA 10/04